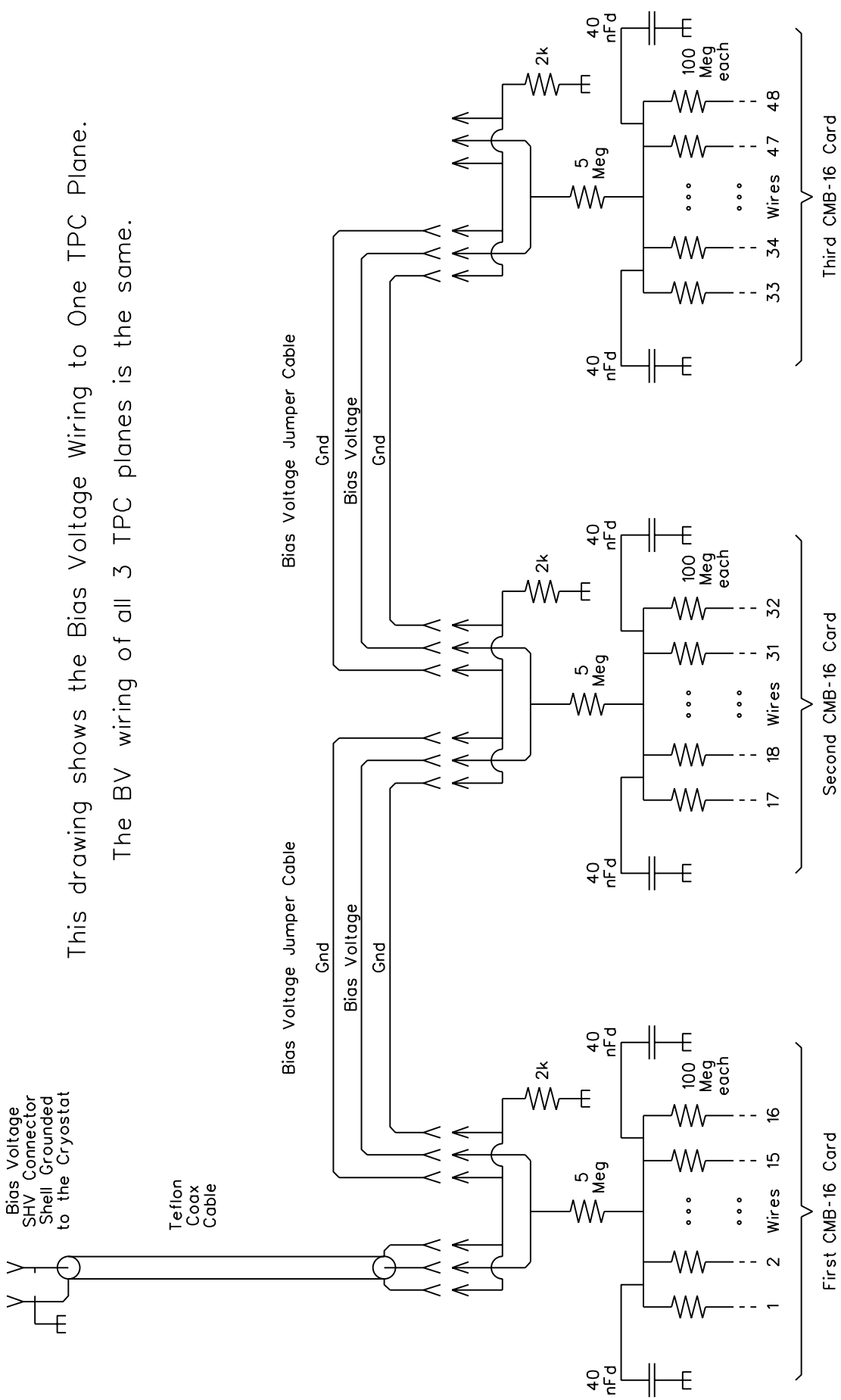


Wire Plane Bias Voltage Cabling



This drawing shows the Bias Voltage Wiring to One TPC Plane.
 The BV wiring of all 3 TPC planes is the same.