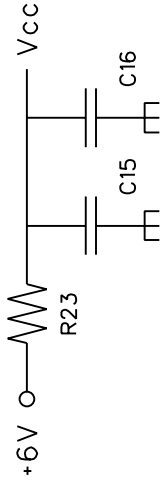


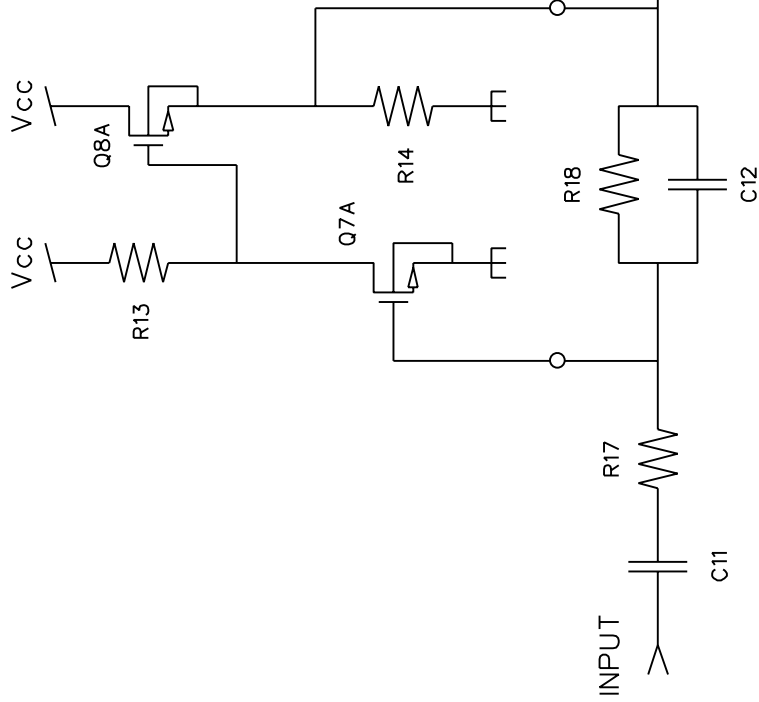
# Cold 3-Pole Filter

Qn = ALD1101SAL  
 R13 = 6.81k Ohm  
 R14 = 820 Ohm  
 R15 = 6.81k Ohm  
 R16 = 820 Ohm



C15 = 100 nFd  
 C16 = 100 nFd  
 R23 = 47 Ohm  
 on CMB-16

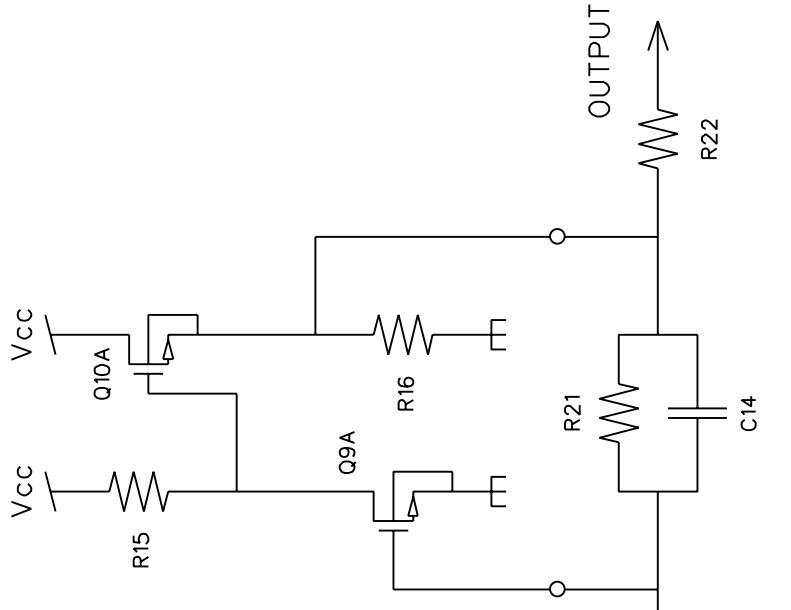
## Amp #1



R17C11 1.36 usec  
 R17 = 2k Ohm  
 C11 = 680 pFd  
 R18C12 470 nsec  
 R18 = 10k Ohm  
 C12 = 47 pFd

R19 = 470 Ohm  
 L1 = 470 uH  
 C13 = 1.8 nFd  
 R20 = 2k Ohm

## Amp #2



R21C14 470 nsec  
 R21 = 10k Ohm  
 C14 = 47 pFd

R22 = 100 Ohm