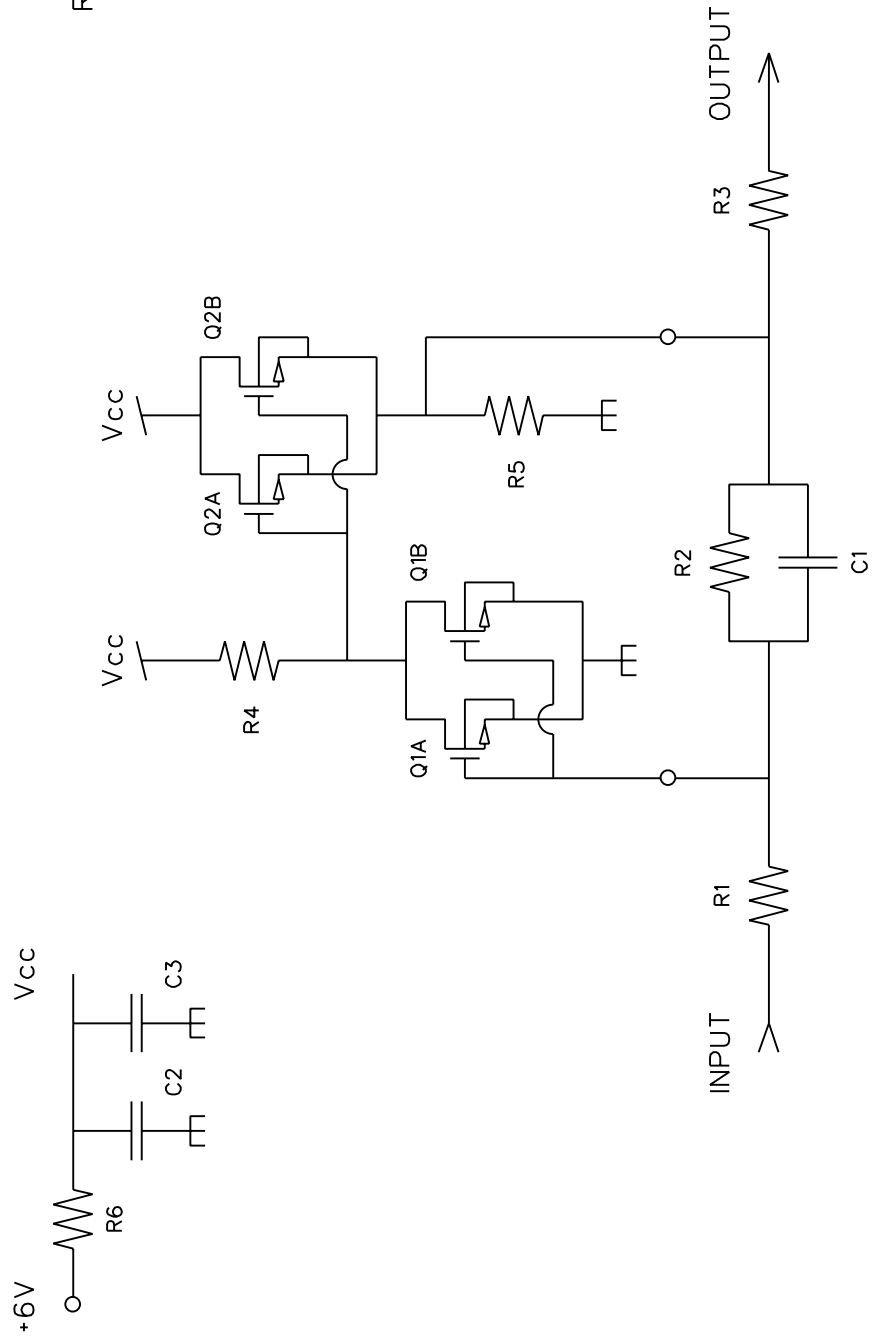


Cold Buffer Mux-Driver



- Qn = ALD1101SAL
- R1 = 2k Ohm
- R2C1 470 nsec
- R2 = 10k Ohm
- C1 = 47 pFd
- R3 = 100 or 0 Ohm
- R4 = 3.40k Ohm
- R5 = 412 Ohm
- R6 = 47 Ohm
- C2 = 100 nFd
- C3 = 22 nFd