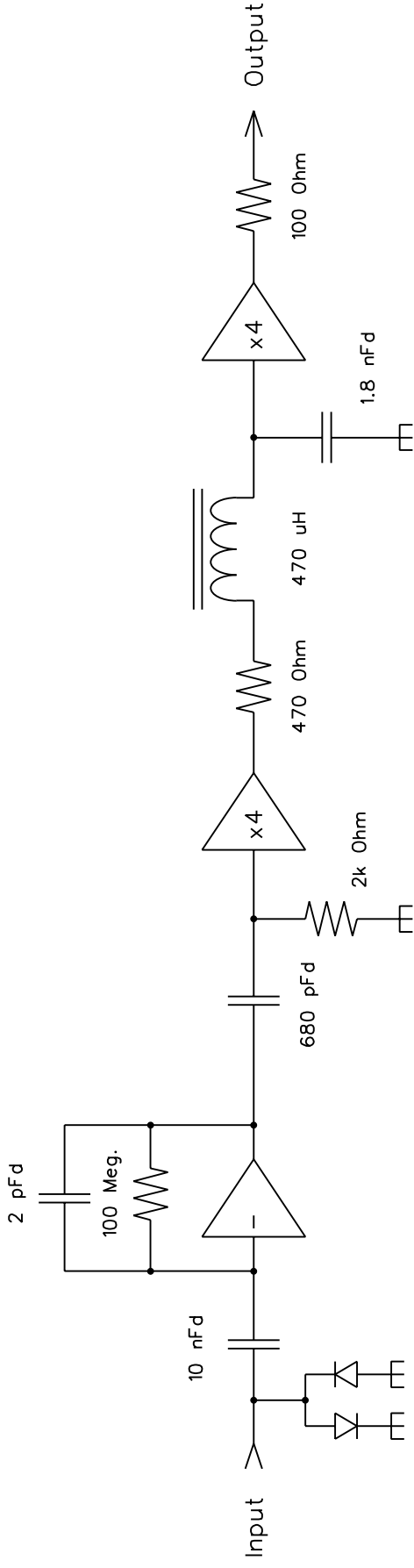
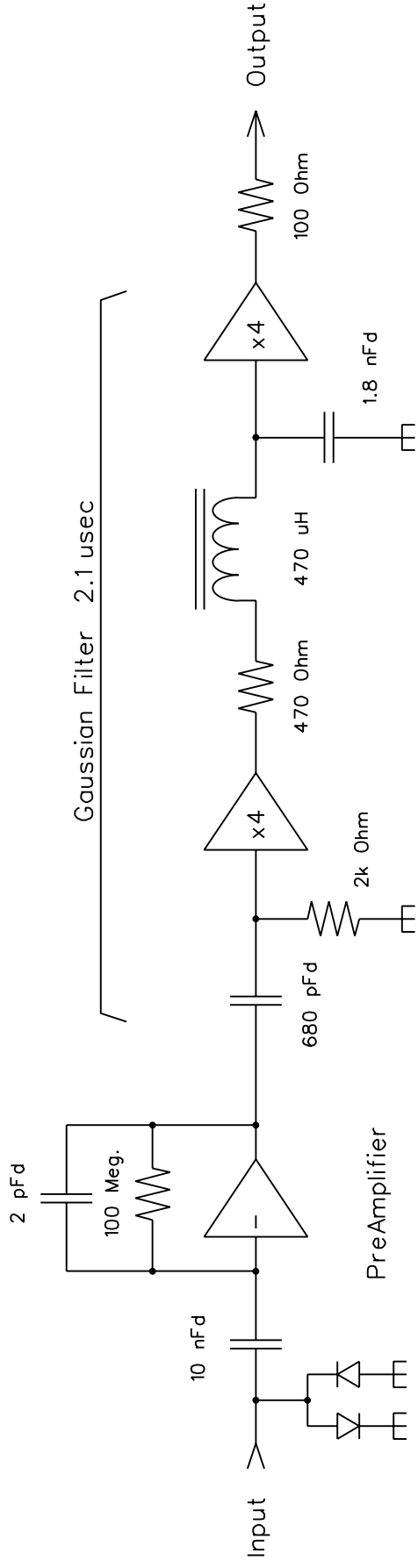


PreAmp-Filter 2 Channel



Charge Integrating PreAmp
 0.5 mV output per fC
 200 usec Fall Time Constant

The Drift Velocity is 1.5 mm/usec in a 500 V/cm field.
 For a 3 to 5 mm plane spacing the risetime will be 2 to 3.3 usec.
 For now pick a 2.1 usec peaking time or about 76 kHz.