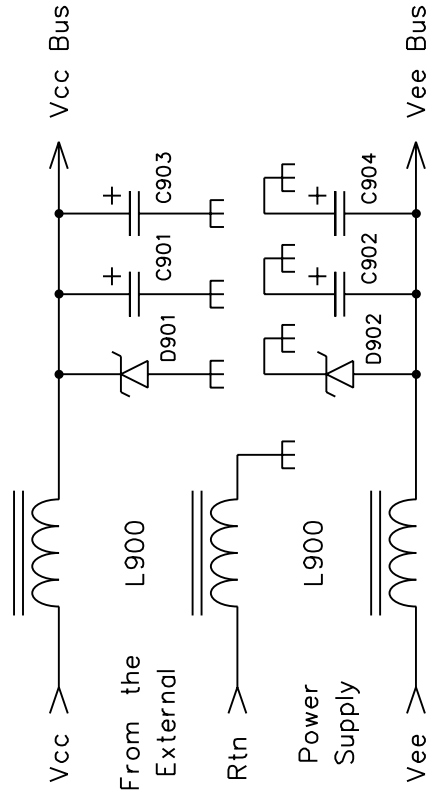
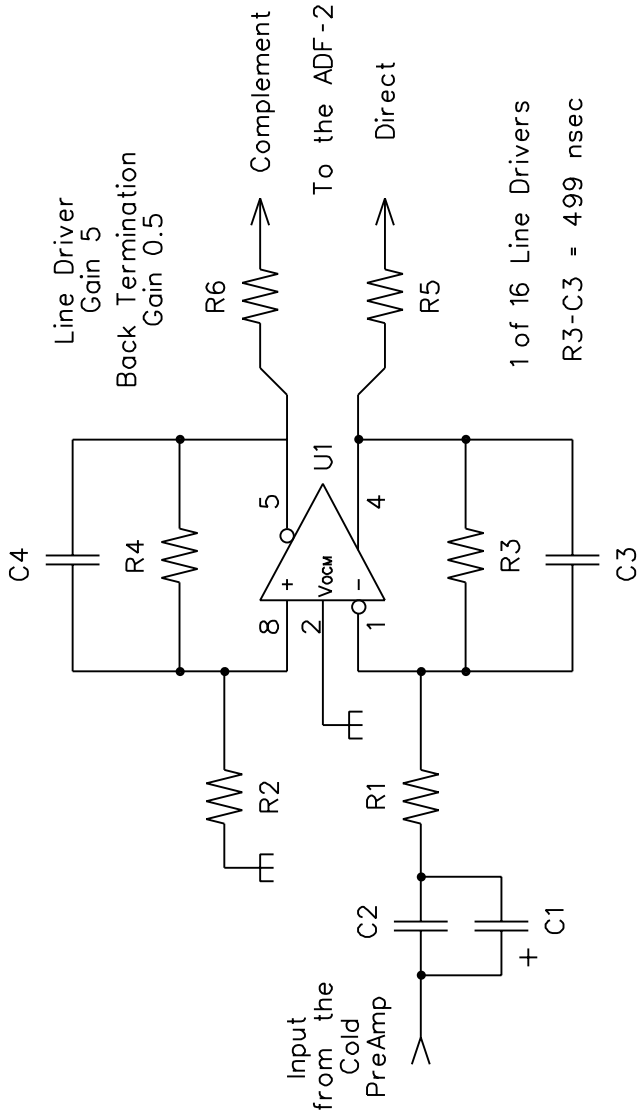
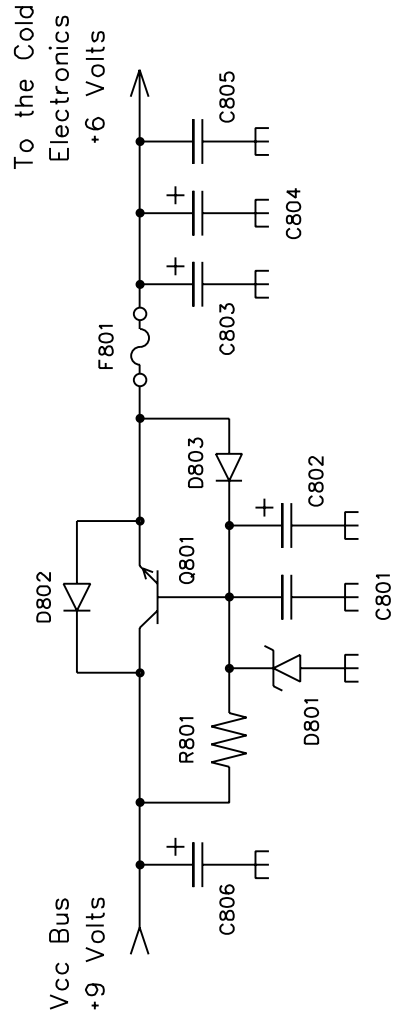


WRP-16 Warm Receiver & Power 16 Channel

- D801 = MMBZ5235B
- D802 = MMBD1501
- D803 = MMBD1501
- D901 = 1SMA12
- L900 = 2 mH 3 Phase
- F801 = 500 mA
- Q1 = ZXTN25020DG
ZXTP25020DG
- R1, R2 = 1k Ohm
- R3, R4 = 4.99k Ohm
- R5, R6 = 75 Ohm
- R801 = 499 Ohm
- U1 = THS4141CDGN
- C1 = 10 uFd
- C2 = 100 nFd
- C3, C4 = 100 pFd
- C801 = 100 nFd
- C802 = 10 uFd
- C803 = 470 uFd
- C804 = 100 uFd
- C805 = 100 nFd
- C806 = 100 uFd
- C901 = 470 uFd
- C903 = 100 uFd



1 of 2 Power Input Isolators and Filters
Cold Power and Line Driver Power



1 of 4 Cold Power Regulators
*1 PreAmp Vcc *2 Filter Vcc
*3 Driver Vcc *4 PreAmp Vee