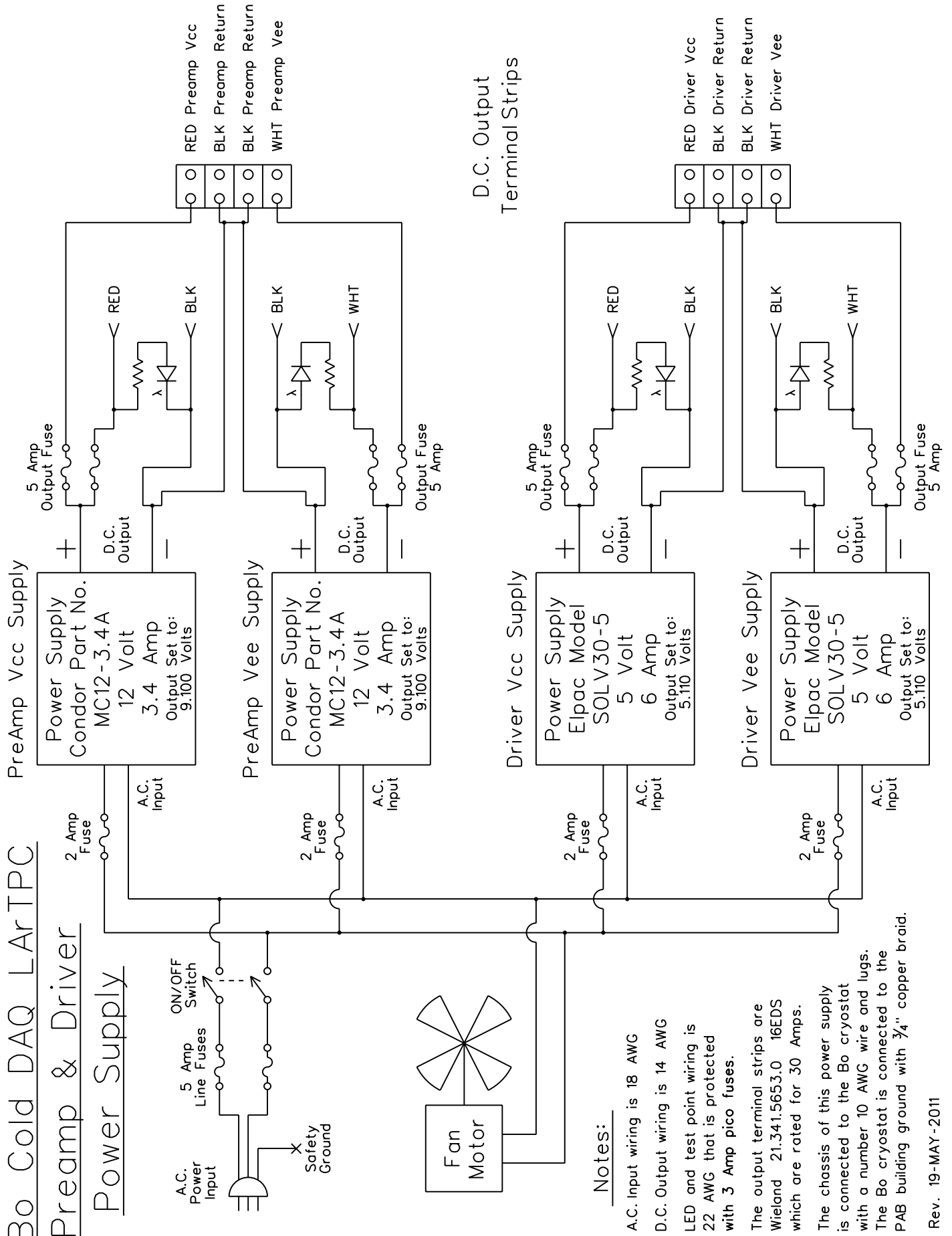


Bo Cold DAQ LArTPC Preamp & Driver Power Supply



Notes:

- A.C. Input wiring is 18 AWG
- D.C. Output wiring is 14 AWG
- LED and test point wiring is 22 AWG that is protected with 3 Amp pico fuses.
- The output terminal strips are Wieland 21.341.5653.0 16EDS which are rated for 30 Amps.
- The chassis of this power supply is connected to the Bo cryostat with a number 10 AWG wire and lugs.
- The Bo cryostat is connected to the PAB building ground with $\frac{3}{4}$ " copper braid.