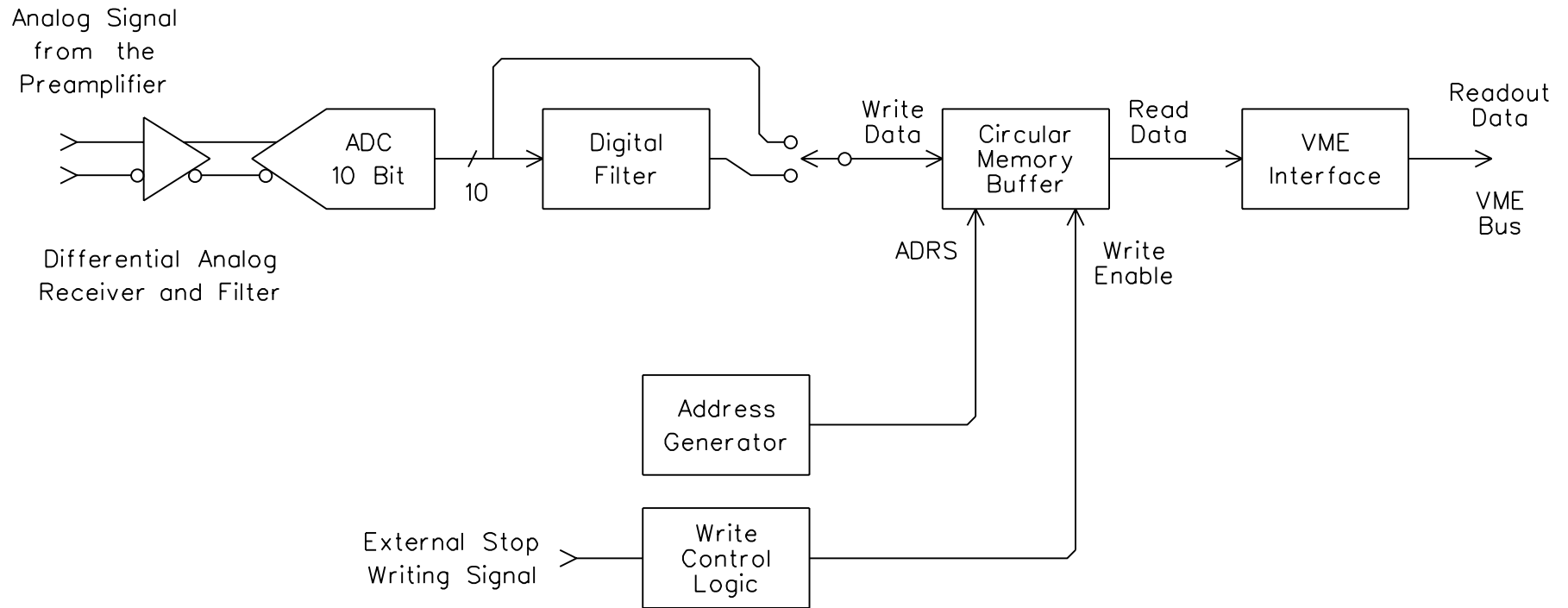


ADF-2 Card as Used for Test Cryostat DAQ



Notes:

Can store raw or filtered data.

With 32 channels per card the buffer is 2K locations long.

With 16 channels per card the buffer is 4K locations long.

ADC conversion rate is any multiple of 33 nsec.

Storage in the circular buffer is at any multiple of 33 nsec.