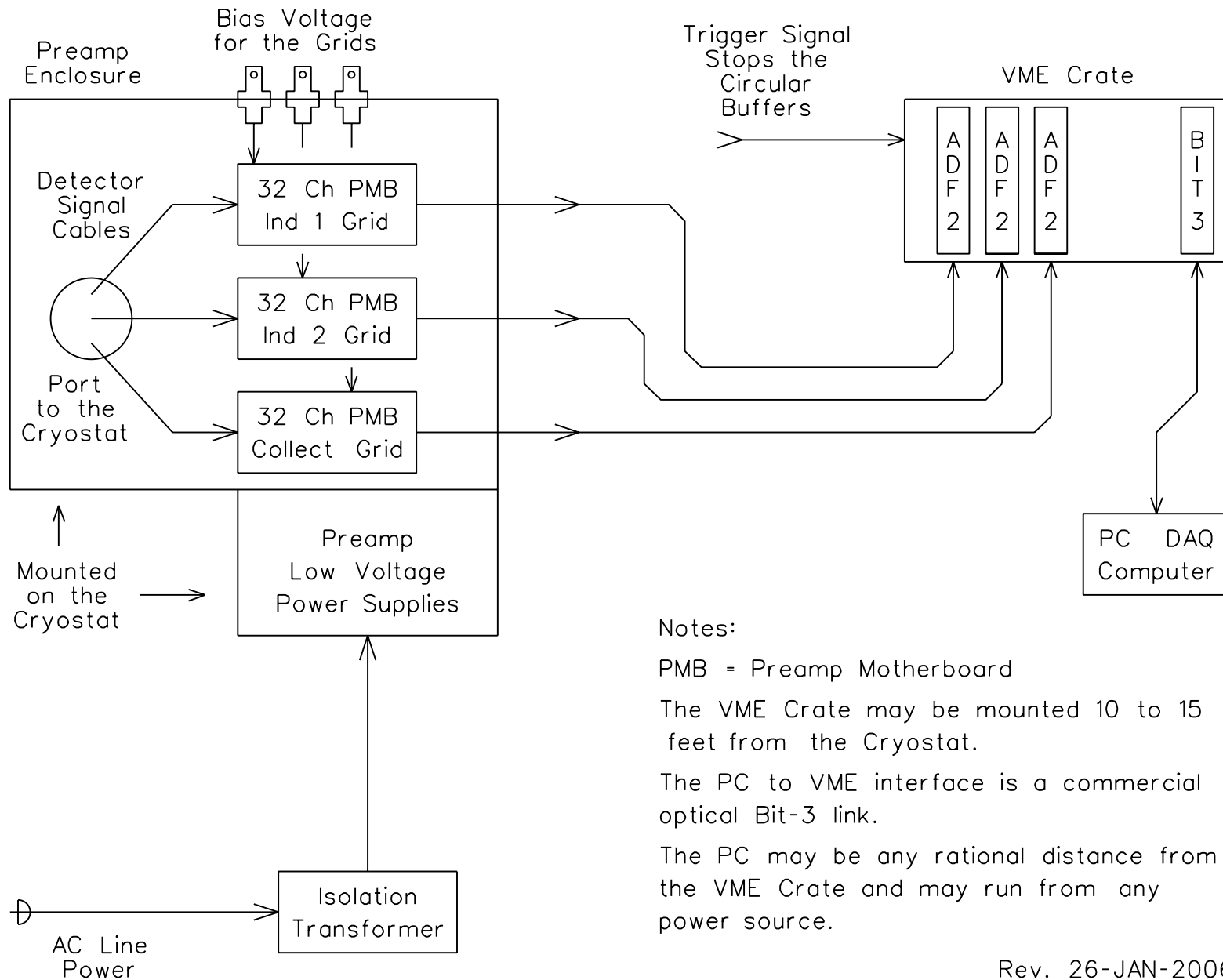


LArTPC Test Cryostat DAQ System



Notes:

PMB = Preamp Motherboard

The VME Crate may be mounted 10 to 15 feet from the Cryostat.

The PC to VME interface is a commercial optical Bit-3 link.

The PC may be any rational distance from the VME Crate and may run from any power source.