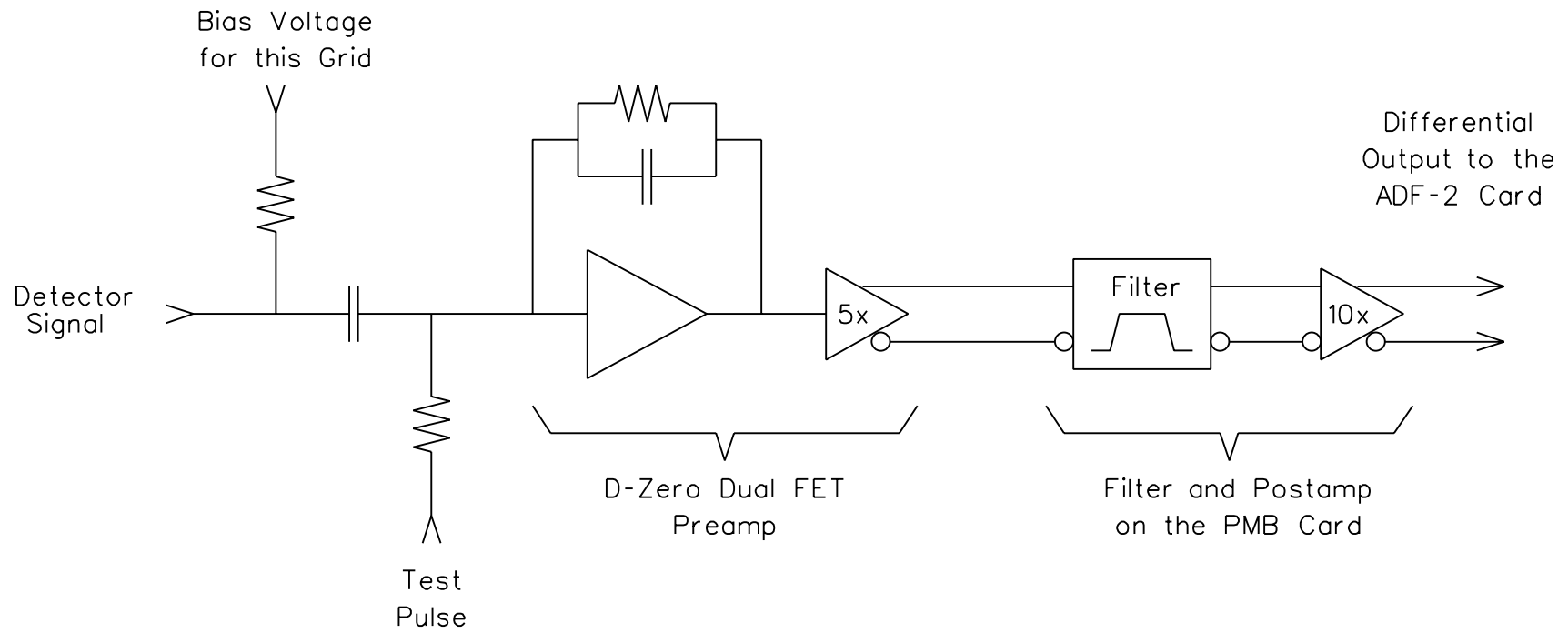


# LArTPC DAQ PMB Card



PMB Preamp Motherboard

Bias Voltage Distribution Resistor 10 Meg Ohm  
Input Coupling Capacitor 4.7 nFd  
Test Pulse Resistor 20 Meg Ohm  
Preamp FB Capacitor 2 pFd  
Preamp FB Resistor 20 Meg Ohm  
Preamp Differential Output 5.0 mV / femto-Coulmb  
Filter constants 0.75 usec and 30 usec

32 Channels as above per PMB Card  
2 or 4 Test Pulse Nets per PMB Card  
2 sets of Output Connectors:  
Drive every channel on the ADF-2 Card  
---> 2048 Circular Buffer per Channel  
Drive every other channel on the ADF-2  
---> 4096 Circular Buffer per Channel