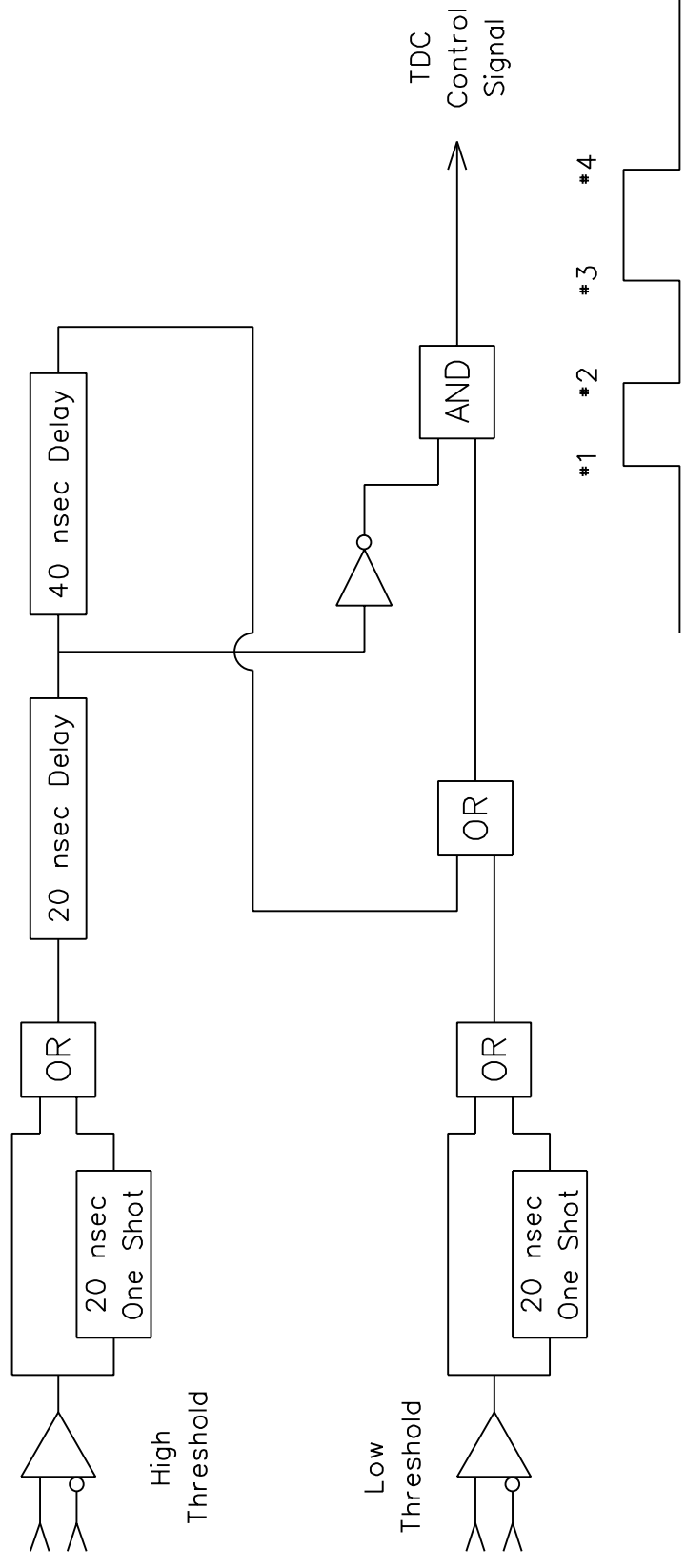


# Milagro Digital Card TDC Signal Generation



The One Shots and the first OR gate in each input are used to guarantee that the time above each threshold is at least 20 nsec.

The 20 nsec delay is used to guarantee that the time from edge #1 to edge #2 is at least 20 nsec.

The 40 nsec delay is used to guarantee that the time from edge #3 to edge #4 is at least 40 nsec.

- Edge #1 Signal goes above Low Thrsd
- Edge #2 Signal goes above High Thrsd
- Edge #3 Signal falls back below High Thrsd
- Edge #4 Signal falls back below Low Thrsd

This is a functional drawing, not an actual drawing, of the TDC control signal generation.