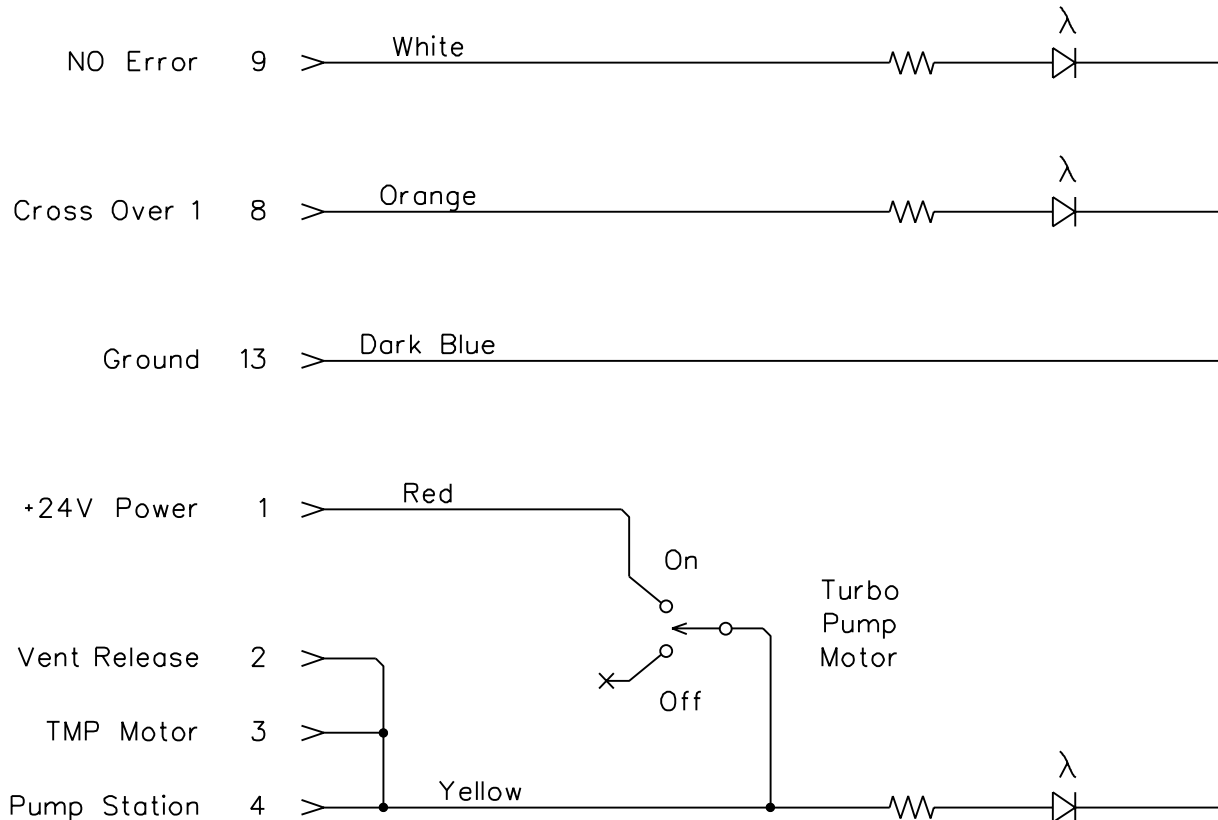


Turbo Pump Remote Control Panel

Remote Control
DB-15 Connector
on the TC600
Drive Electronics

The Status LEDs
Illuminate When:



The TC600 Drive Electronics
Reports NO Errors

The Current Rotational Speed
of the Rotor is > 90%
of its Rated Full Speed

The TC600 Drive Electronics
Has Been Told to Power
the Rotor Motor

2.4k Ohm Resistors