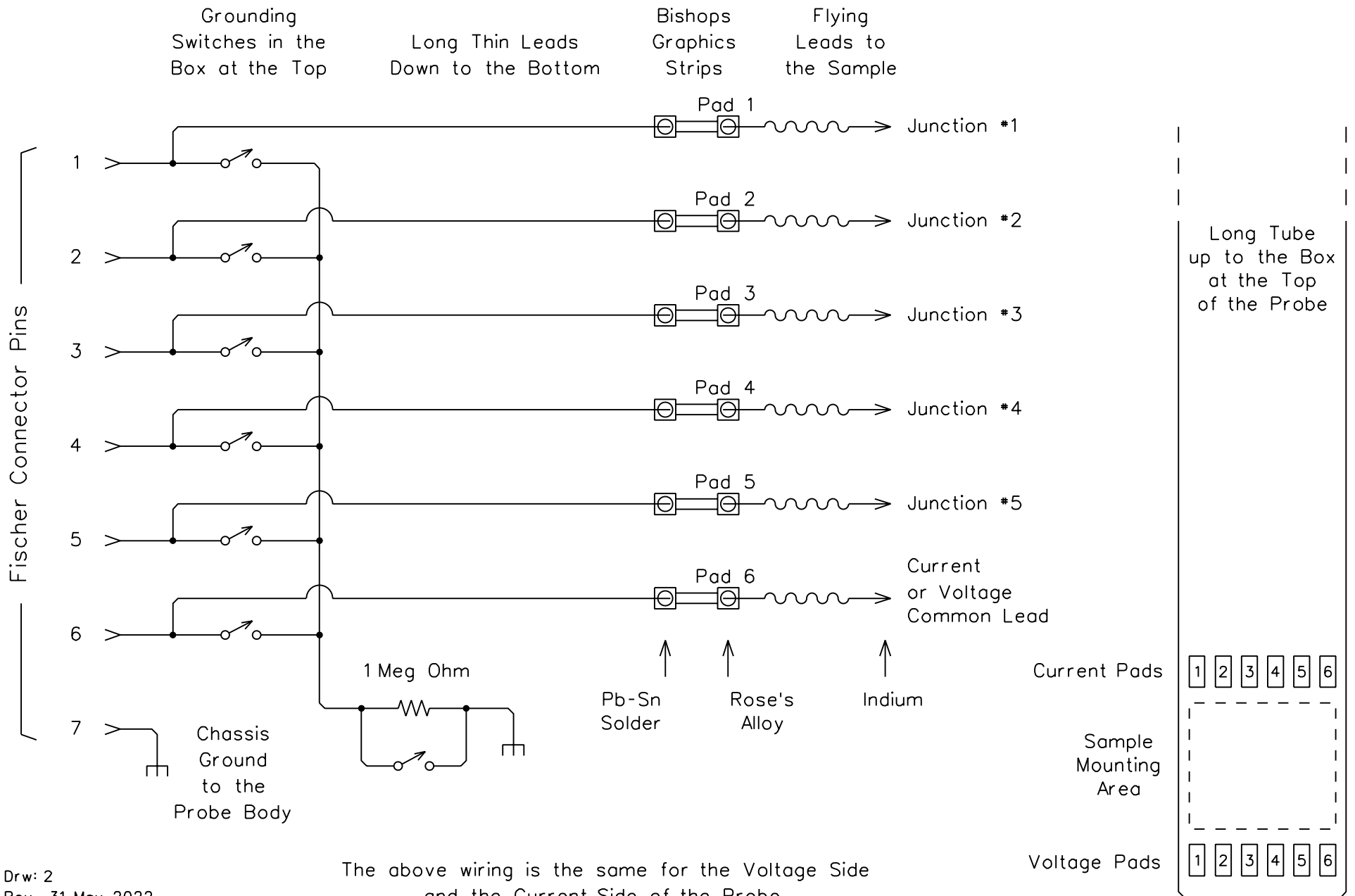


RT JJ Measurement System - QD Probe



Draw: 2
Rev. 31-May-2022

The above wiring is the same for the Voltage Side and the Current Side of the Probe.