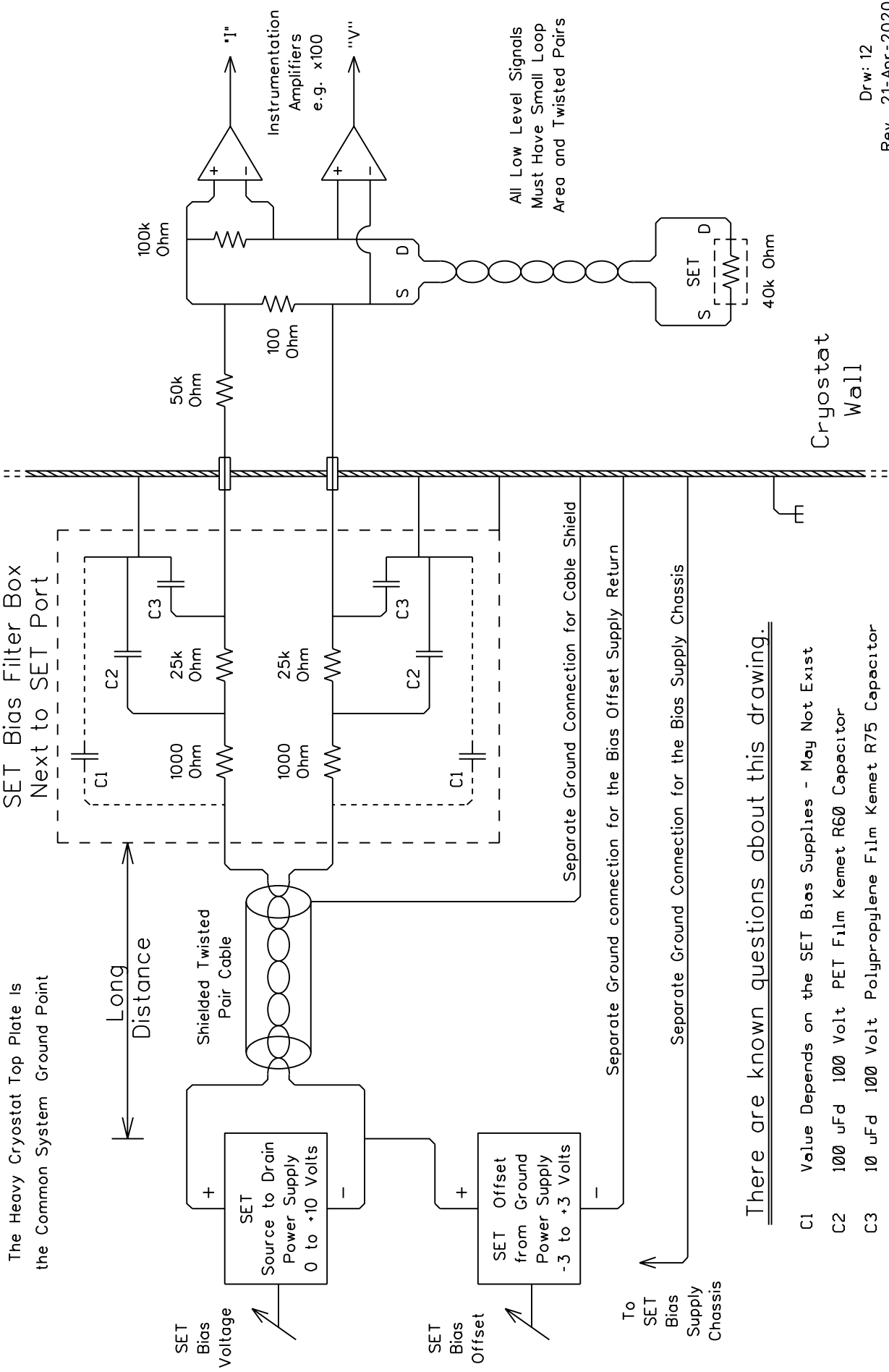


SET Curve Tracer - SET Bias Filter Design



There are known questions about this drawing.

- C1 Value Depends on the SET Bias Supplies - May Not Exist
- C2 100 uFd 100 Volt PET Film Kemet R60 Capacitor
- C3 10 uFd 100 Volt Polypropylene Film Kemet R75 Capacitor