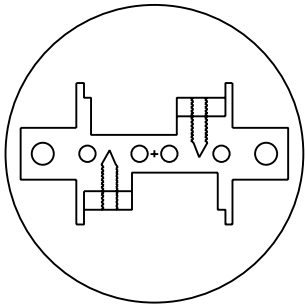
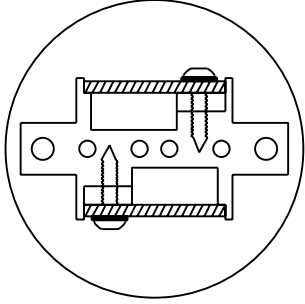


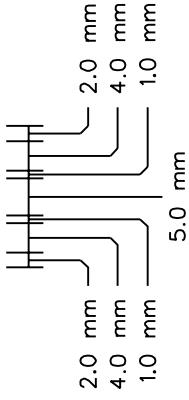
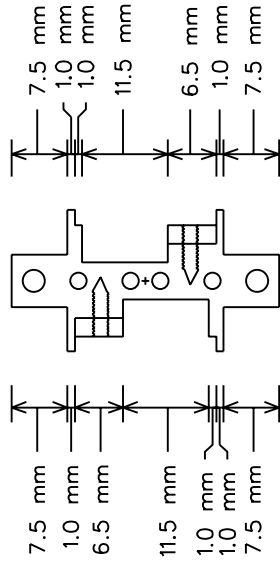
SET Curve Tracer - Instrument Amp Mounting Bracket



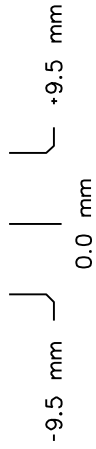
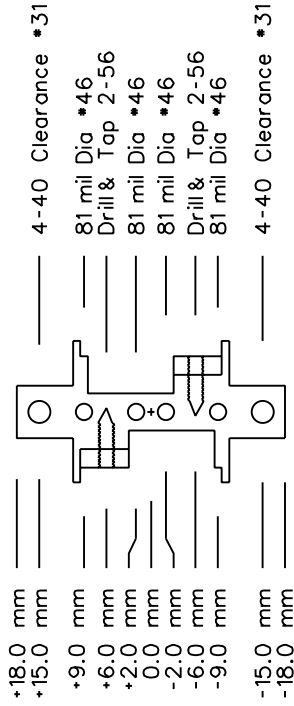
Mounting Bracket Shown in the Standard 40 mm ID SS Tube



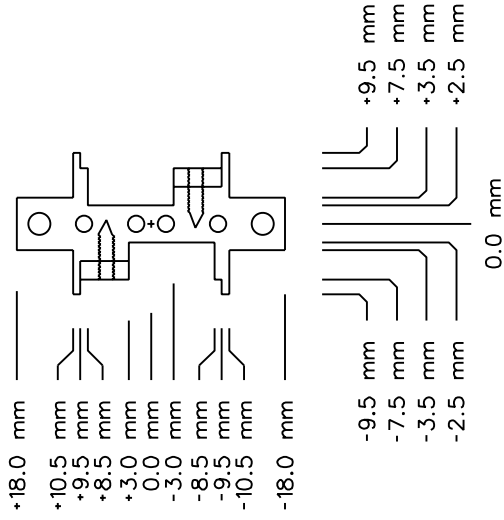
Mounting Bracket Shown with Two Inst Amp Boards and 2-56 Attachment Screws and Washers



Distance Between Edges



Drill Hole Locations and Sizes from 0,0 in the Center



Edge Cut Dimensions from 0,0 in the Center