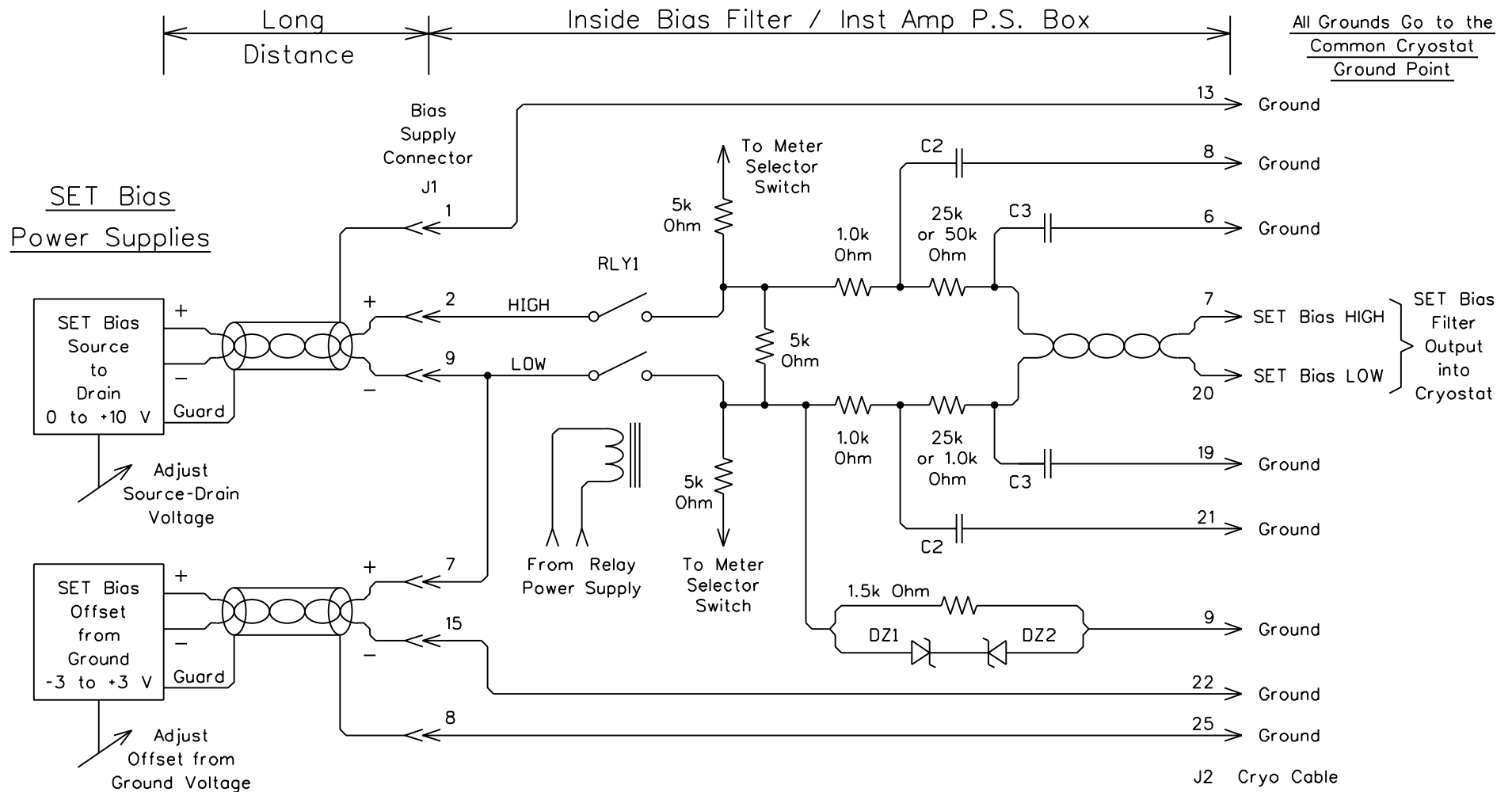


SET Curve Tracer - SET Bias Filter - Test Design



- C2 100 μ Fd 100 Volt PET Film
- C3 10 μ Fd 100 Volt Polypropylene Film
- DZ1, DZ2 1N5234B Zener Diode $V_z = 6.2$
- J1 DB-15M with General Cable C0720A.41.10
- J2 DB-25F - Cable to Cryostat Feedthrough
- RLY1 Coto 7102-12-1011 DPST Reed Relay

