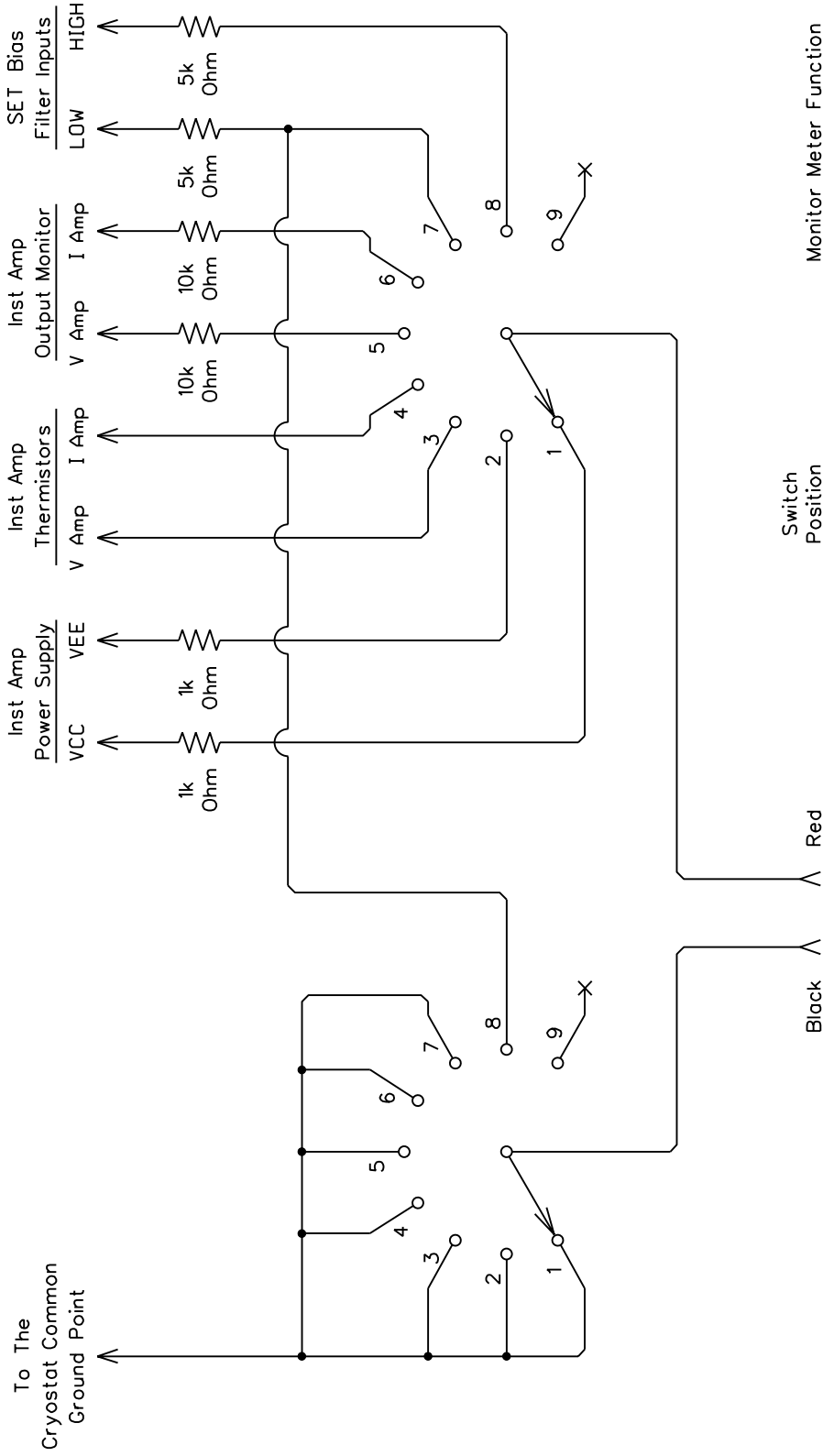


SET Curve Tracer - Monitor Meter Selector Switch



The Monitor Meter Selector Switch Shown in this Drawing Is Located in the Bias Filter Inst Amp Power Supply Box.

Tip Jacks for the Leads to a Digital Multimeter with 1 Meg or 10 Meg Ohm Input Resistance

Switch Position

- | Switch Position | Monitor Meter Function |
|-----------------|---|
| 1 | Inst Amp VCC about +10 V |
| 2 | Inst Amp VEE about -10 V |
| 3 | V Inst Amp Thermistor about 4k:440k Ohm |
| 4 | I Inst Amp Thermistor about 4k:440k Ohm |
| 5 | V Inst Amp Output about -1V:+1V |
| 6 | I Inst Amp Output about -1V:+1V |
| 7 | SET Bias Filter Offset from Ground about -3V:+3V |
| 8 | SET Bias Filter Source to Drain Input about 0V:+10V |
| 9 | Spare / No Connection |