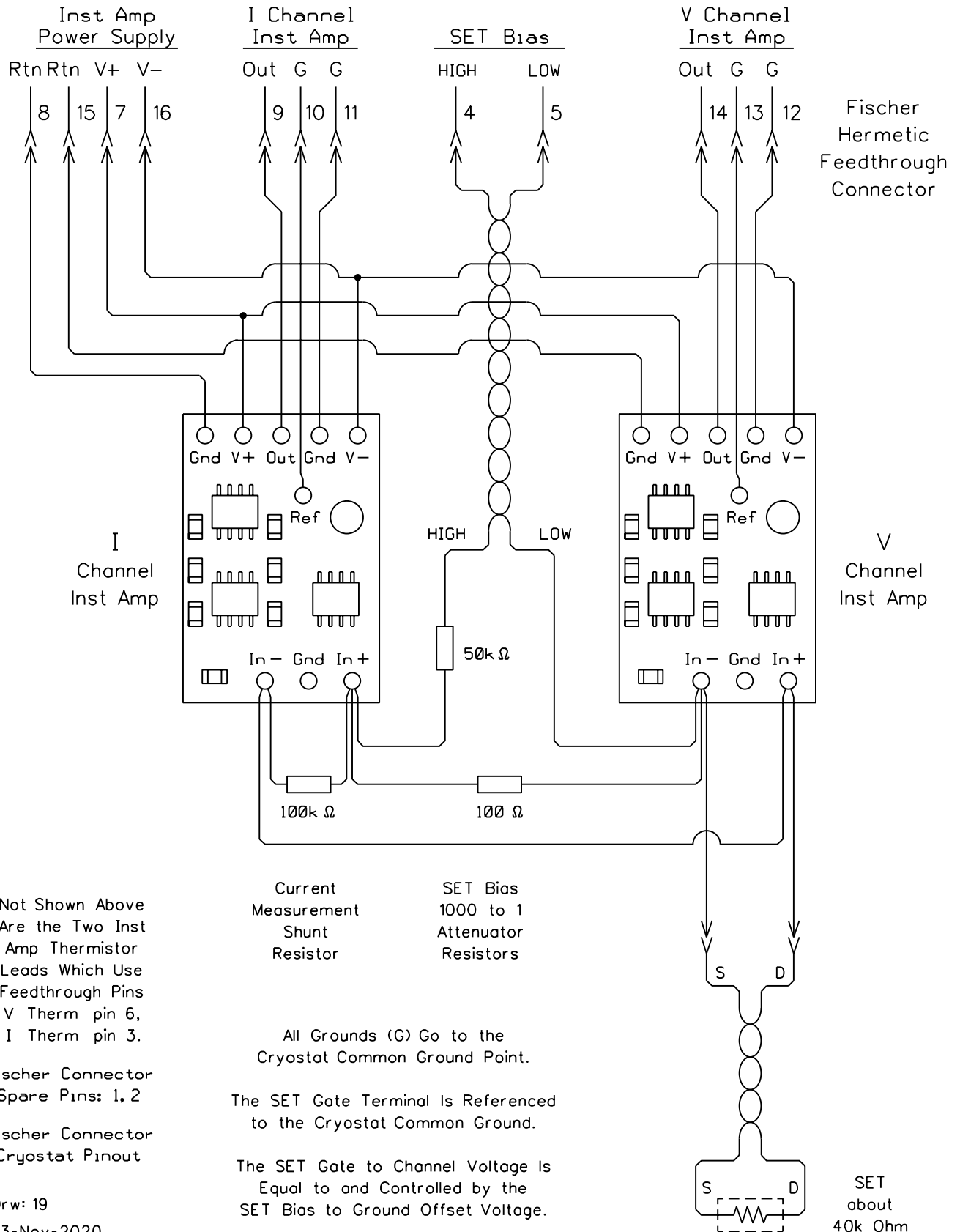


# SET Curve Tracer

## Inst Amp - Internal Wiring



Not Shown Above  
Are the Two Inst  
Amp Thermistor  
Leads Which Use  
Feedthrough Pins  
V Therm pin 6,  
I Therm pin 3.

Fischer Connector  
Spare Pins: 1, 2

Fischer Connector  
Cryostat Pinout

Drw: 19

Rev. 23-Nov-2020

Current  
Measurement  
Shunt  
Resistor

SET Bias  
1000 to 1  
Attenuator  
Resistors

All Grounds (G) Go to the  
Cryostat Common Ground Point.

The SET Gate Terminal Is Referenced  
to the Cryostat Common Ground.

The SET Gate to Channel Voltage Is  
Equal to and Controlled by the  
SET Bias to Ground Offset Voltage.

Fischer  
Hermetic  
Feedthrough  
Connector

V  
Channel  
Inst Amp

SET  
about  
40k Ohm