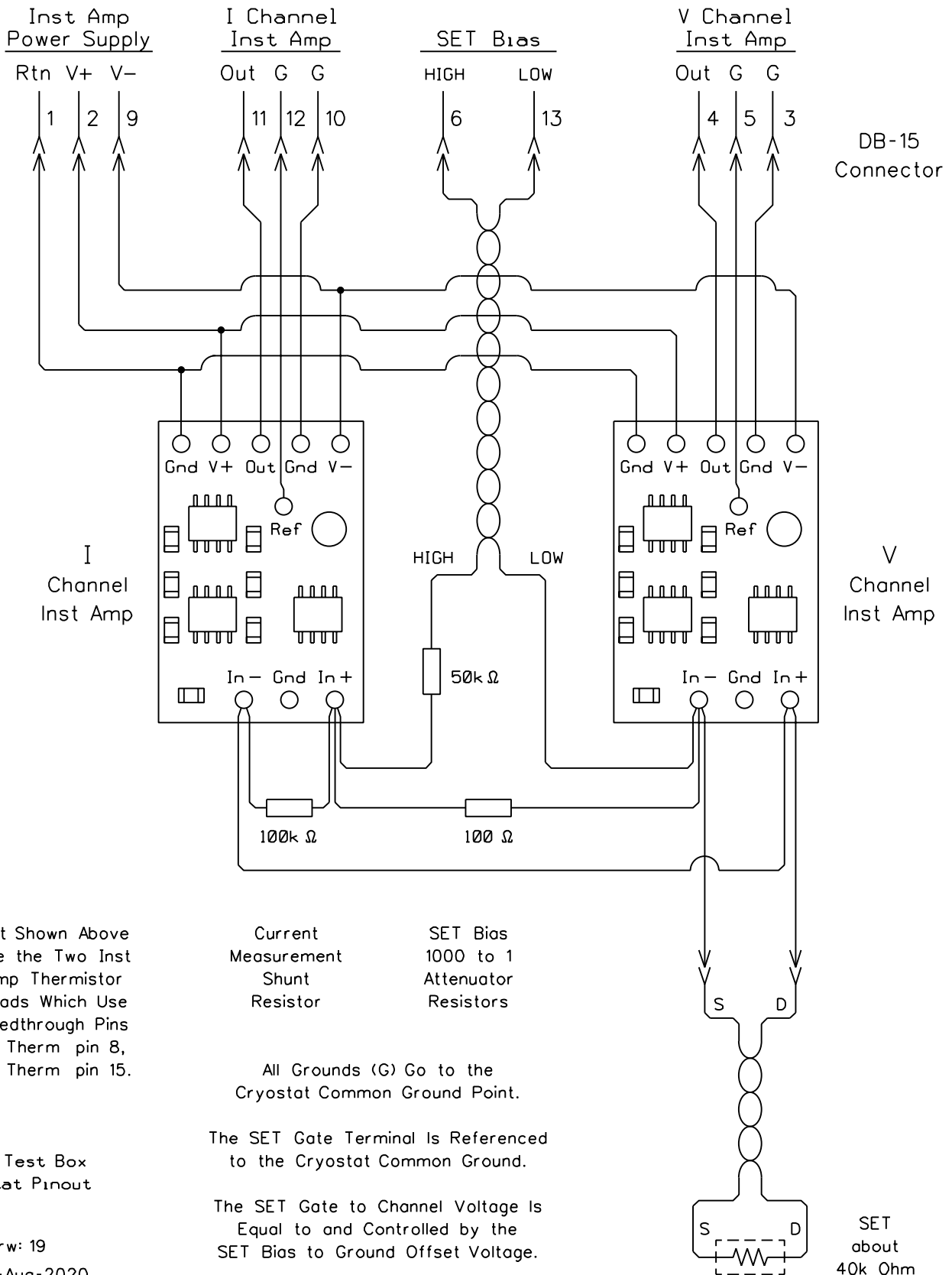


# SET Curve Tracer

## Inst Amp - Internal Wiring



Not Shown Above  
Are the Two Inst  
Amp Thermistor  
Leads Which Use  
Feedthrough Pins  
V Therm pin 8,  
I Therm pin 15.

Current  
Measurement  
Shunt  
Resistor

SET Bias  
1000 to 1  
Attenuator  
Resistors

All Grounds (G) Go to the  
Cryostat Common Ground Point.

The SET Gate Terminal Is Referenced  
to the Cryostat Common Ground.

The SET Gate to Channel Voltage Is  
Equal to and Controlled by the  
SET Bias to Ground Offset Voltage.

First Test Box  
Cryostat Pinout

Drw: 19  
Rev. 6-Aug-2020

SET  
about  
40k Ohm