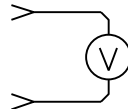
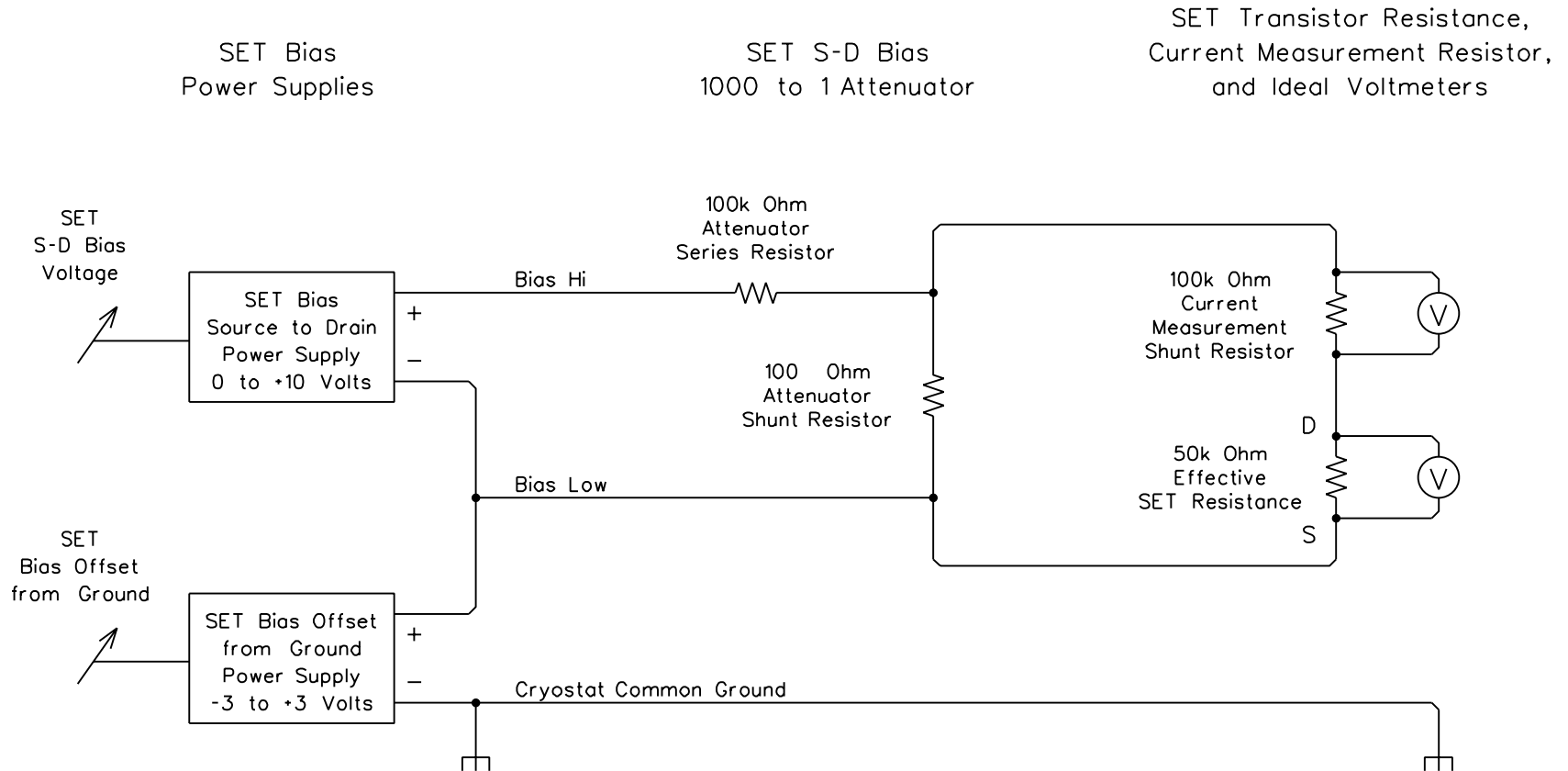


SET DC Curve Tracer

Initial Test Setup - Conceptual View



This Symbol Represents
 an Ideal Voltmeter
 that Draws Zero Input Current
 and Measures the Potential
 Difference Between Its Two Inputs
 Independent of Their Voltage wrt Ground