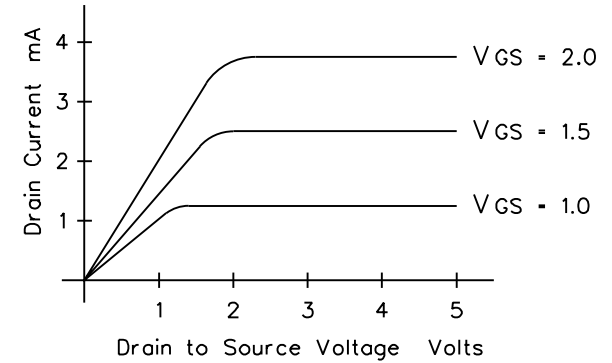
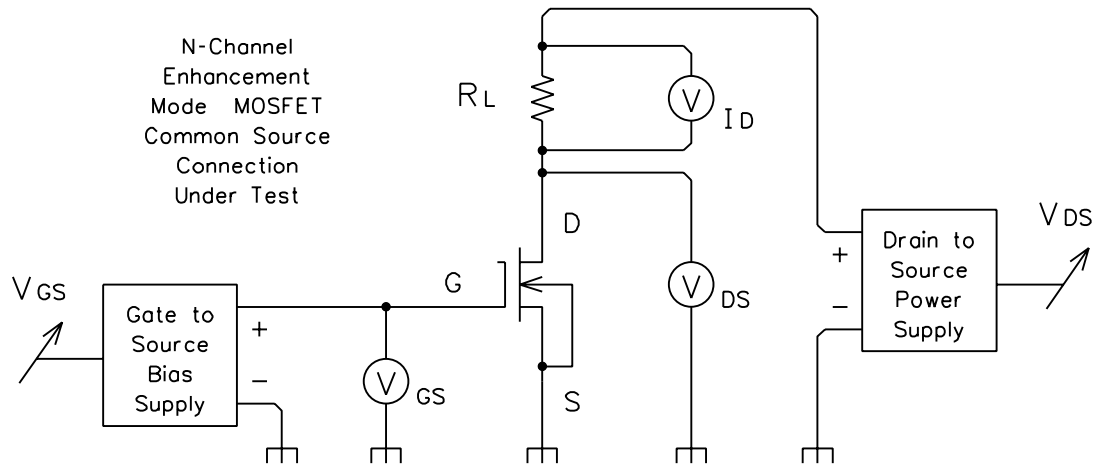
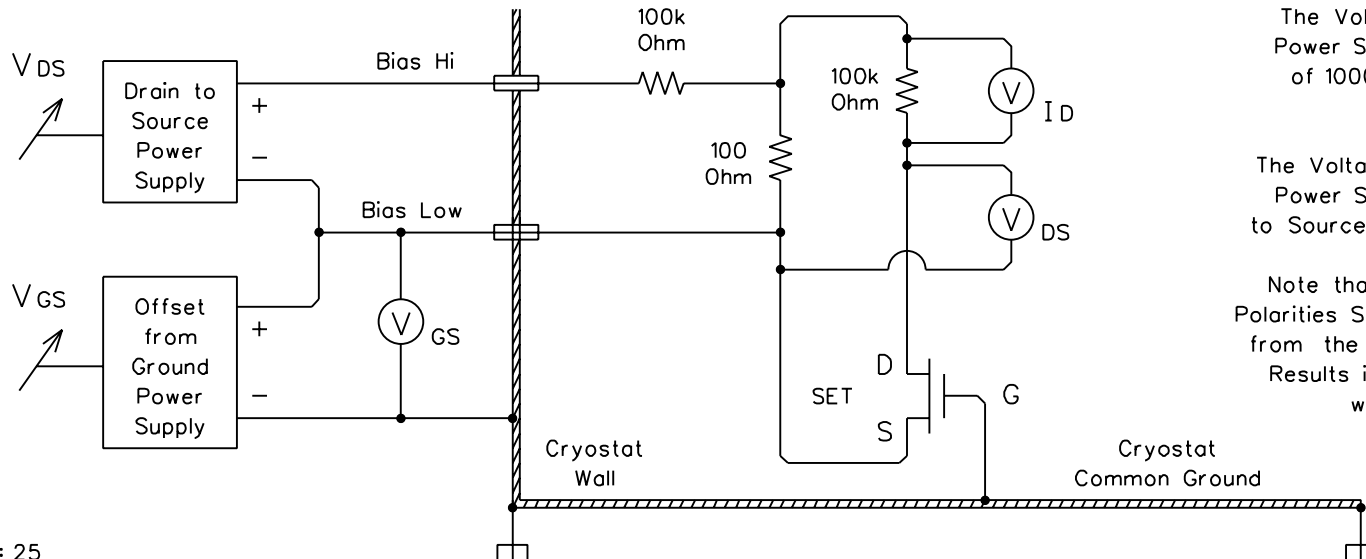


Conventional MOSFET Curve Tracer



Cryogenic SET Curve Tracer



The Voltage from the Drain to Source Power Supply is Attenuated by a Factor of 1000 before it Powers the Internal SET Circuit Under Test.

The Voltage from the Offset from Ground Power Supply Directly Controls the Gate to Source Voltage that is Seen by the SET.

Note that with the Power Supply Terminal Polarities Shown that a Positive Output Voltage from the Offset from Ground Power Supply Results in the SET's Gate Being Negative with Respect to its Source.