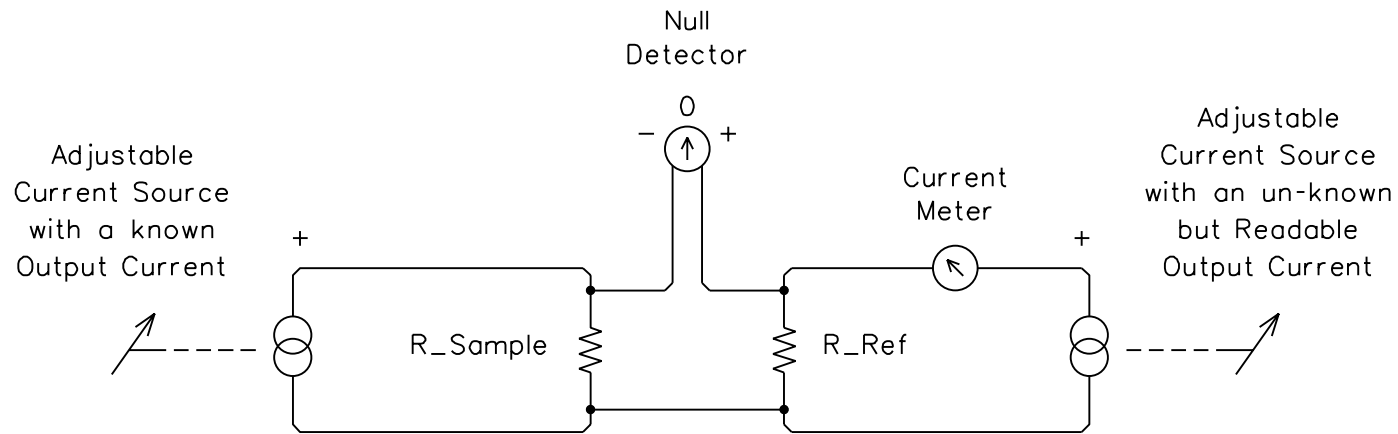


# A Basic Bridge Circuit



Basic Bridge Circuit

On each side, the Voltage across the Resistor equals the Current through the Resistor X its Resistance.

With the Bridge in Balance, R\_Sample equals

$$R_{\text{Ref}} \times \frac{\text{Amp Reading of the Reference Side Current Source}}{\text{Amps from the Known Sample Side Current Source}}$$