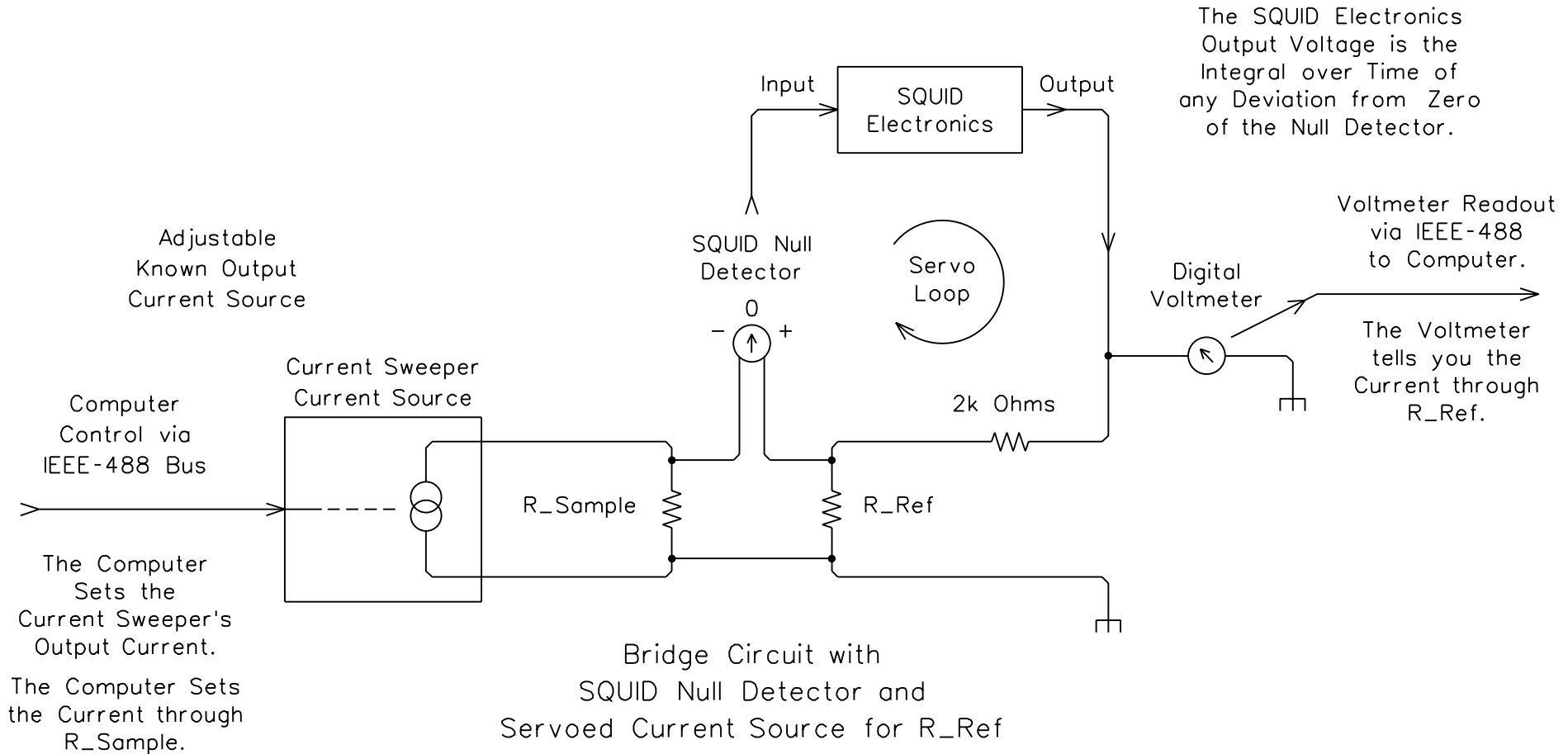


Bridge with SQUID Null Detector & Servo Current Source



The Bridge Automatically Balances Itself, R_{Sample} equals

$$R_{Ref} \times \frac{\text{SQUID Output Voltage Divided by } 2k \text{ Ohms}}{\text{Amps from the Known Sample Side Current Source}}$$