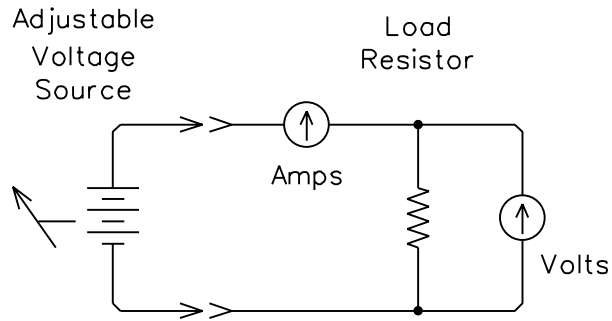


Control both the Voltage Across and the Current Through a Load

Control the Voltage Across a Load



Control the Voltage Across and the Current Through a Load

