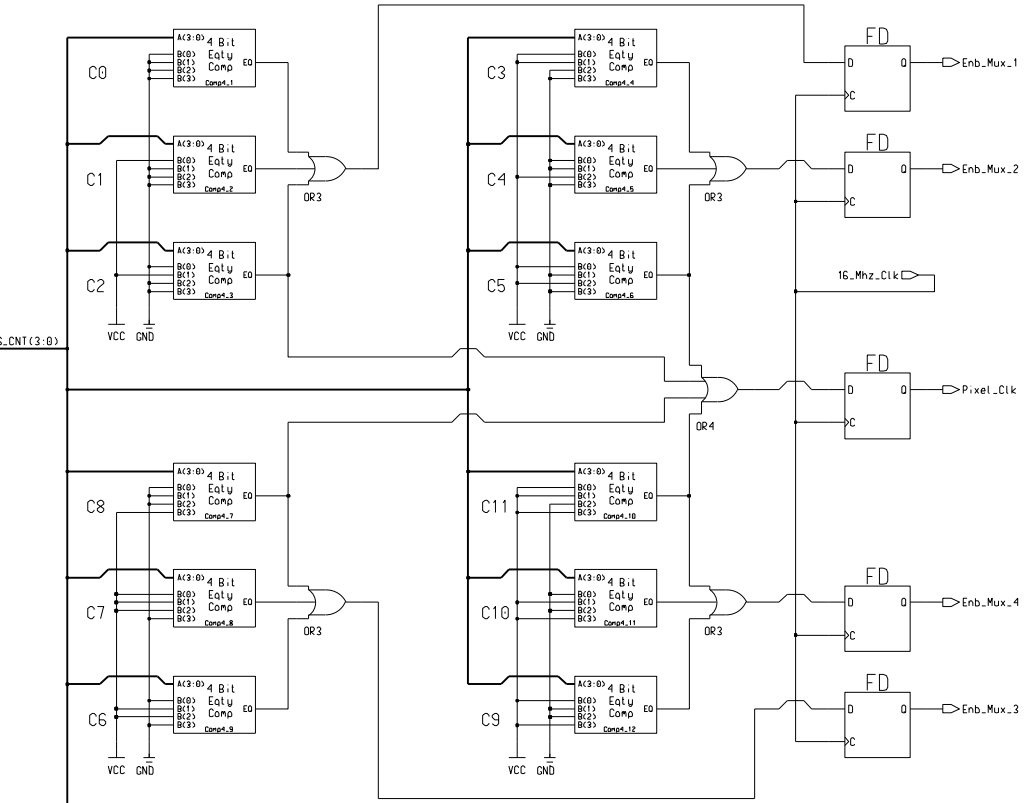
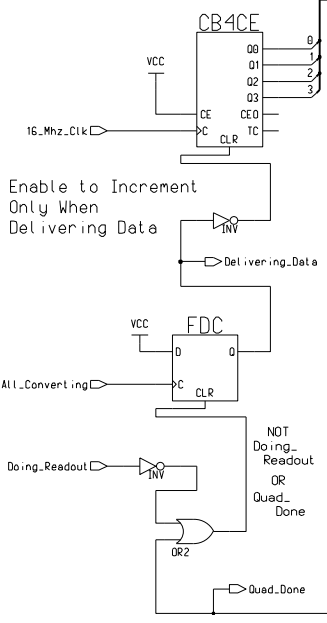


Count Steps in Delivering Quad



Engineer: Edmunds	MICHIGAN STATE UNIVERSITY	
Drawn by: Edmunds	00 Run II Upgrade	
R&D CHK:	Level 1/Level 2 Trigger Frameworks	
DOC CTRL CHK:	TITLE:	Size
MFG ENGR CHK:	Mux_Ctrl_Pix_Clk	c
	FIRC MSA #4	41 x 4

Changed by: Edmunds	Date Changed: Saturday, December 6, 1997	Time Changed: 4:26:30 pm	QA CHK:	REV	Drawing Number:	Page: 1
------------------------	---	-----------------------------	---------	-----	-----------------	------------