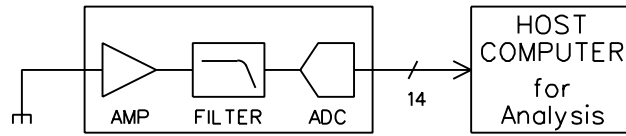


Lab Tests of the Fast IR Camera

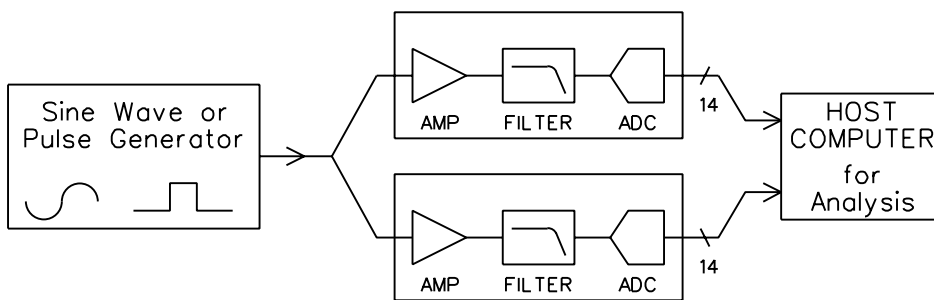
Grounded Input Test



Measure:

Noise Floor
Spurious Response
Begin Frame,
Begin Line
Artifacts

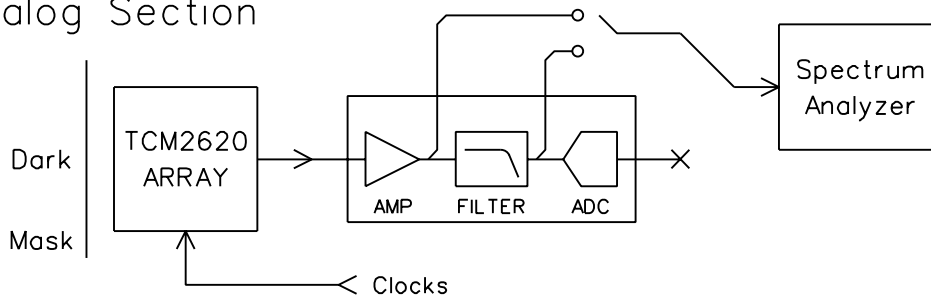
Waveform Generator Input Test



Measure:

Absolute Response
Channel to
Channel Match
FFT Analysis
Thermal Tails

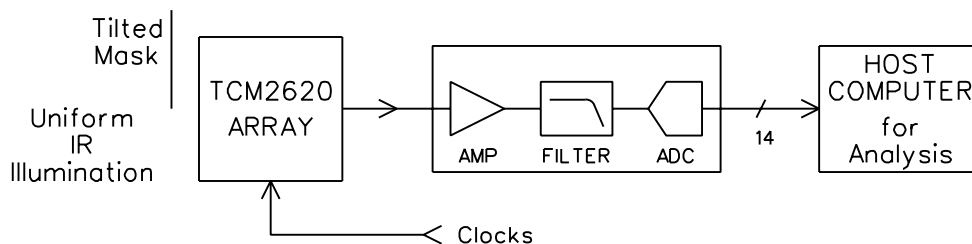
Spectrum Analysis of the Array and the Analog Section



Measure:

Noise Spectrum

Half Mask Test



Measure:

Linearity
Step Response
Up - Down Match