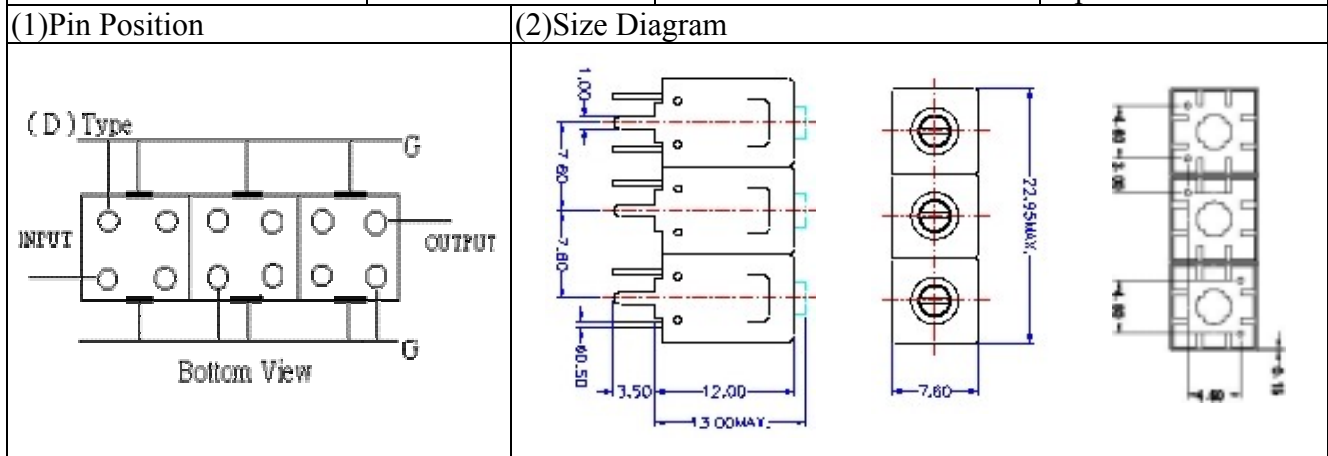


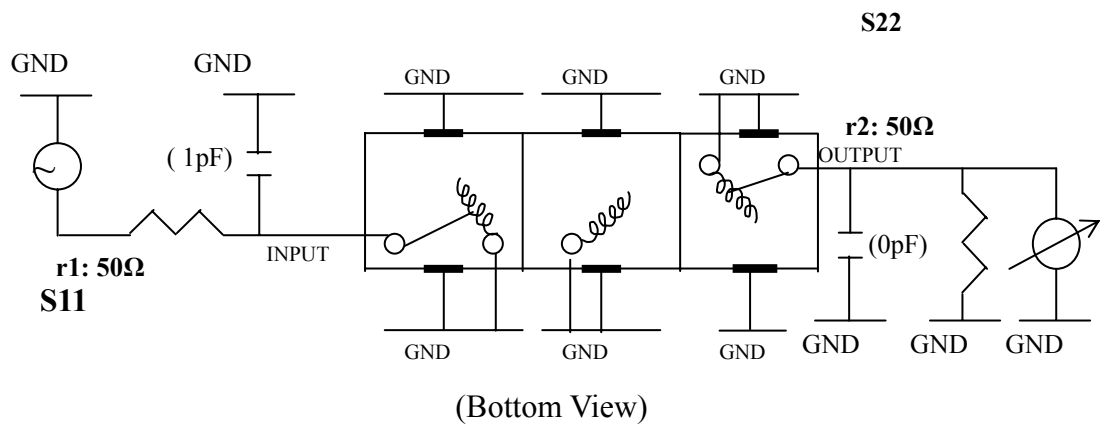
VHF UHF Helical Filter Specification Sheet

Customer Name		Temwell's Part No.	TT67100D-435M
Approval No. /dated	0809053C	Temwell's Print name.	67100D 435M
Work Instruction No.	200809053C	Date	Sep.24.2008



(3) Electric Charasteric		Item	Specify
Center Freq.(Fo) +/- 0.5 %			435 MHz
Tunable Range:			435±5 MHz
Insertion Loss		Typ.	4.0 dB
-3 dB Bandwidth		Typ.	9 MHz
Sensitivity (Attenuation)	Fo - (50) MHz	Typ.	75 dBc
	Fo + (50) MHz	Typ.	40 dBc
	Fo - () MHz	Typ.	dBc
	Fo + () MHz	Typ.	dBc
Return Loss		Min.	12 dB
Ripple			< 1 dB
Impedance			In / Out : 50 Ω
(4) Torque for Tuning Screw			> 100gf cm
(5) Temperature Condition:			
Operating Temperature			0 ~ +60
Storage Temperature			-20 ~ +70
(6) Input Power			> 1Watt

(7) Measuring Circuit: Easy to match Impedance S11/S22 50Ω by parallel with about(0pF) / (0pF).

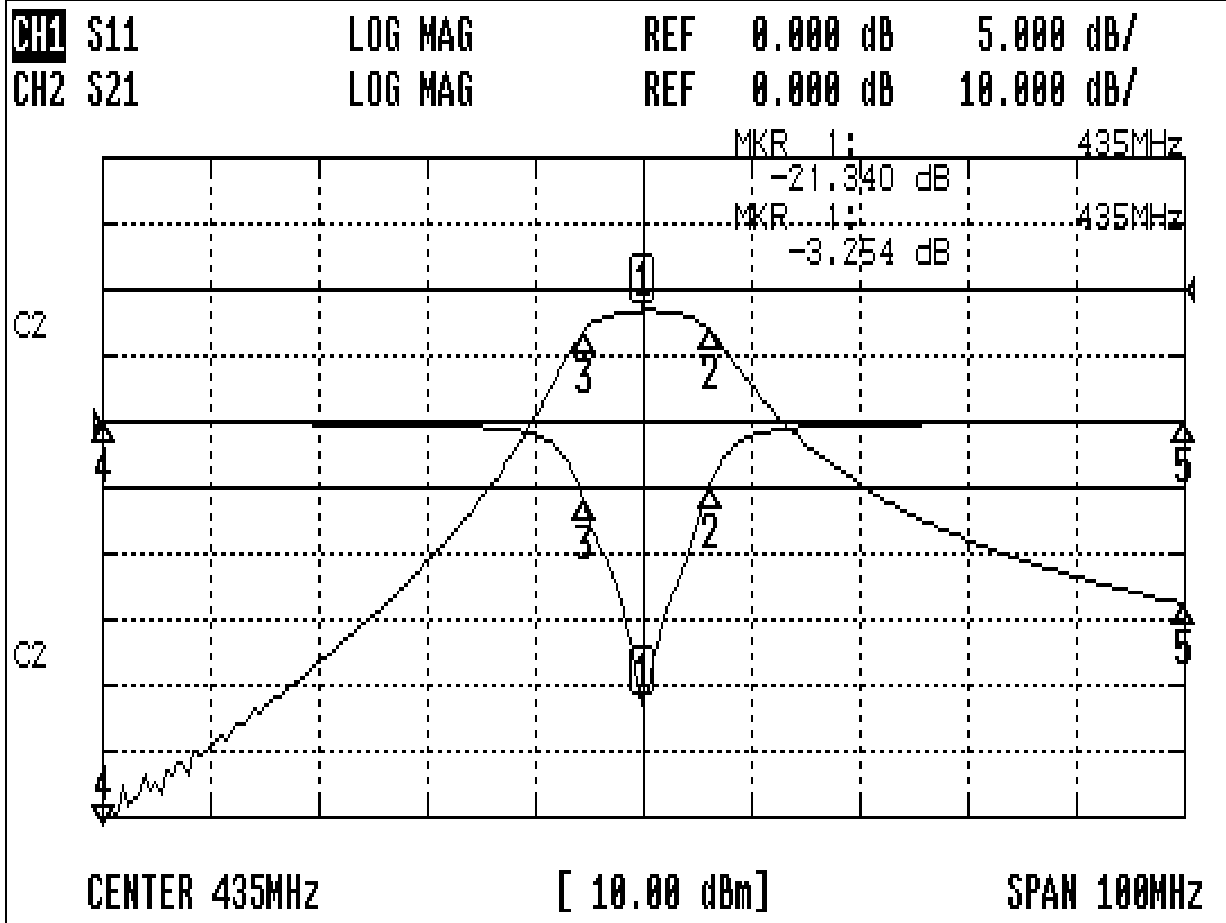


Approval	Supervisor	Designer	Aperture size
C.Y.Chang	C.S.Chang	Y.H.Yeh	7H3S(4*5.5F) 7H046LB4 聚 3

TEMWELL CORPORATION

Performace-TT67100D-435M

200809053C



CH1 MARKER LIST

1:	435.000MHz	-21.340 dB
2:	441.166MHz	-4.932 dB
3:	429.600MHz	-6.184 dB
4:	385.000MHz	-0.096 dB
5:	485.000MHz	-0.069 dB

CH2 MARKER LIST

1:	435.000MHz	-3.254 dB
2:	441.166MHz	-6.247 dB
3:	429.600MHz	-6.239 dB
4:	385.000MHz	-81.500 dB
5:	485.000MHz	-47.636 dB