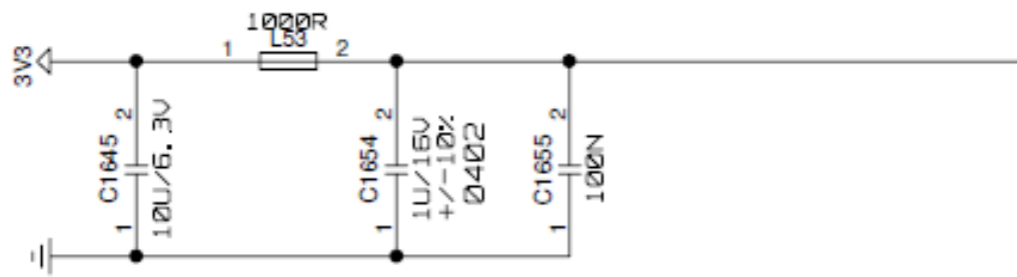
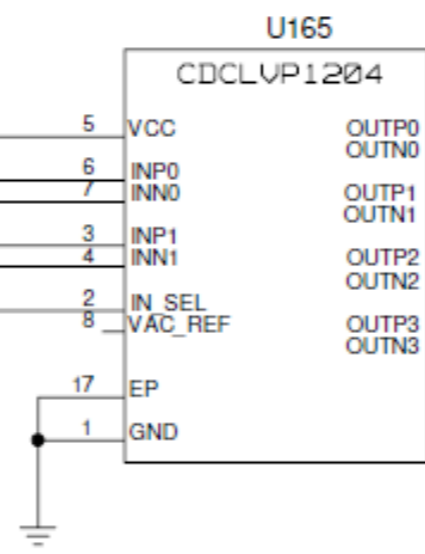
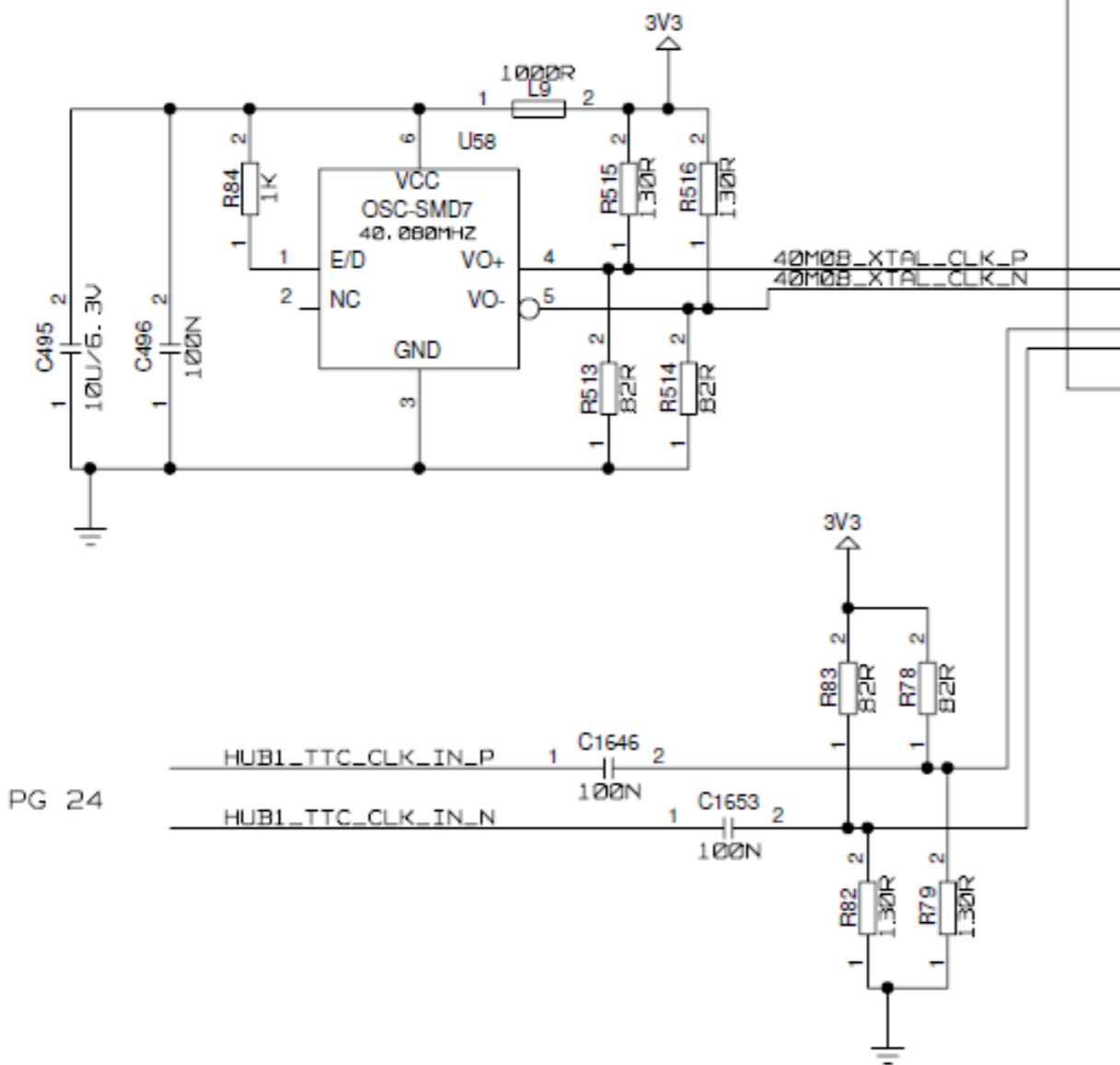


TO BACKPLANE

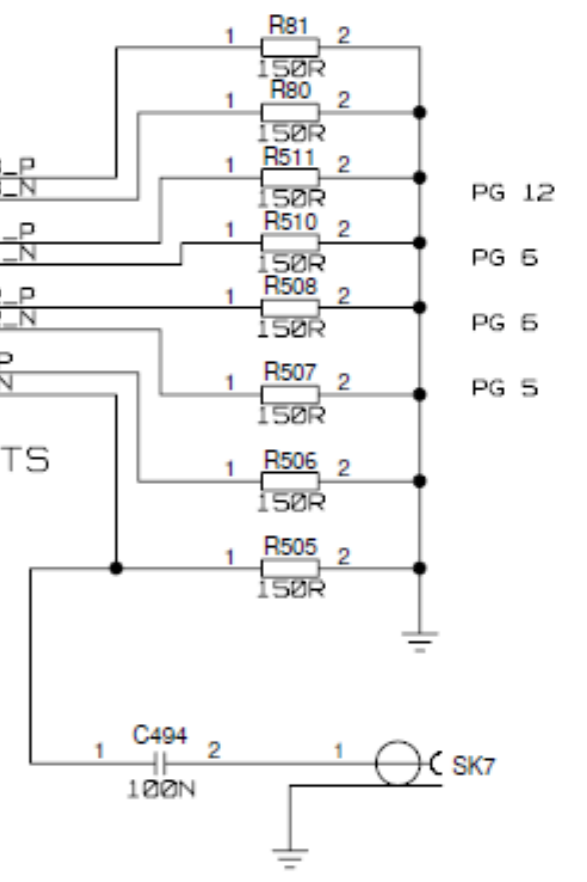


0 = XTAL CLK
 XTAL_TTC_CLK_SEL

40.08MHZ CLK
 XTAL OR TCC



LUPECL OUTPUTS



40MHZ XTAL/TTC CLOCK TESTPOINTS